



Walls Only Kit



- This is a PERFECT application to create a screen enclosure out of an existing roof line.
- It is a "materials supplied" screen enclosure kit designed to add beauty and functional 3 season living space to your home.
- YOU BUILD IT so you can choose the measurements that suit your needs.
- Heavy Duty, Extruded Aluminum Construction
- **PLEASE NOTE: No glass - screens only**

FRAME

- Frame is all extruded aluminum with baked on enamel finish
- Frames available in three colors - WHITE, CLAY & BRONZE
- Frames - Horizontal extrusions are 1" x 2" / Vertical extrusions are 2" x 2"
- You can place the support bar, which is on the inside of the screen panels, anywhere within the range of center height to 1/3 height.
- This means that you can create a clear line of sight for when you are seated in the room.
- Your choice of **no** kick-plates or 18" or 24" kick-plates
- Your choice of 8' or 10' vertical components (then you cut to your size!)
- We suggest a screen panel width of 36" to 44" wide.

GENERAL

- An out-swinging pre assembled aluminum door, 3' x 6'8" is standard with each kit
- All panels are bolted together. No silly cables or plastic pieces. The supplied hardware is extruded aluminum for maximum strength and weather-ability.
- The room **MUST** be screwed to a deck or patio. Bottom U channels are supplied and make for an easy vertical rail installation.
- This is a very high quality, long lasting screen room that is easily assembled within one to two days depending on the size you are building.
- Attaches to your home or cottage wall
- Color Choices: Frame Panels - WHITE / CLAY / BRONZE
- Full one year warranty against manufacturers defects



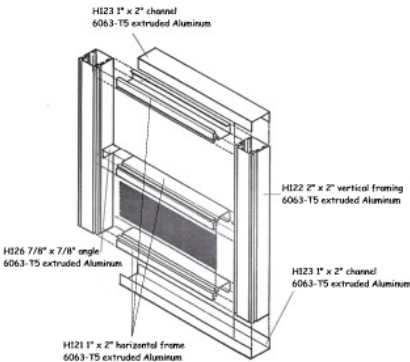


The pricing table below is a **PRICE SAMPLING** for the **WALLS ONLY!** You may call us toll free to submit your complete measurements and receive a quotation. 1.800.922.4760

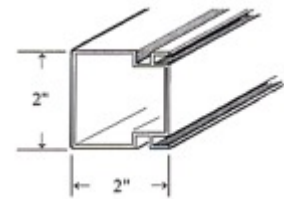
Projection	Width	Wall Height	Kick-plate	Price \$US -Credit Card-	Price \$US -Cashier's Check-
8'	12'	8'	none	\$1238.60	\$1176.67
			18"	\$1356.20	\$1288.39
			24"	\$1417.80	\$1346.91
10'	20'	8'	none	\$1448.00	\$1375.60
			18"	\$1616.00	\$1535.20
			24"	\$1704.00	\$1618.80
12'	24'	8'	none	\$1737.60	\$1650.72
			18"	\$1939.20	\$1842.24
			24"	\$2044.80	\$1942.56

Not included in your kit:

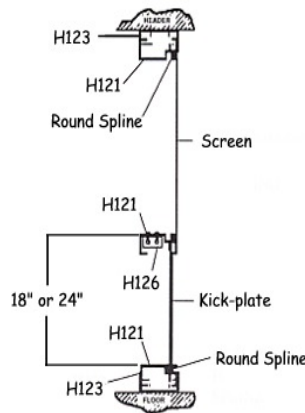
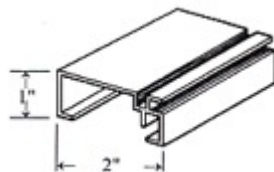
- Screws to attach u-channel to house wall.
- Sealant for u-channel to concrete or floor connection. We suggest using Tapcon screws in addition to the sealant.
- Screen roller to insert screen and round vinyl spline



H122 - Vertical supports



H121 - Horizontal supports...top, bottom and mullion



For Information or to order CALL (800) 922-4760

We accept VISA, MasterCard and PayPal payments OR get a 5% discount by sending a Cashier's Check.

**All Prices in US\$ — FREE Delivery in continental USA
No hidden costs — No handling fees — No silly fees**