









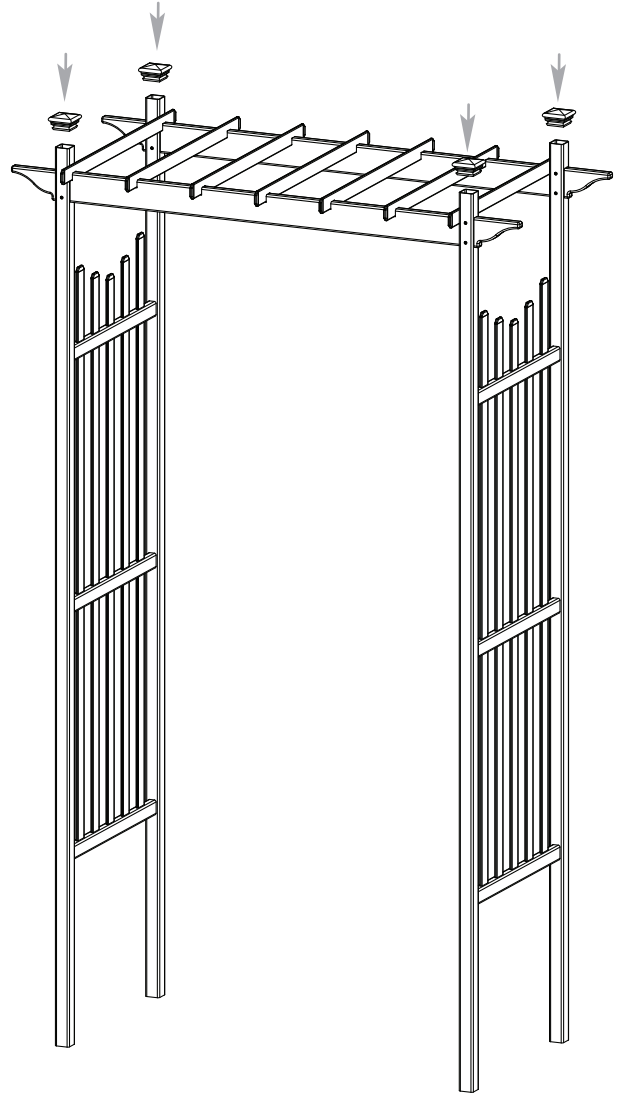
## STEP THREE

### Arbor Assembly

4

Place the four post caps over the posts as shown.

4



# New England Arbors

Leadership by Design

[www.newenglandarbors.com](http://www.newenglandarbors.com)

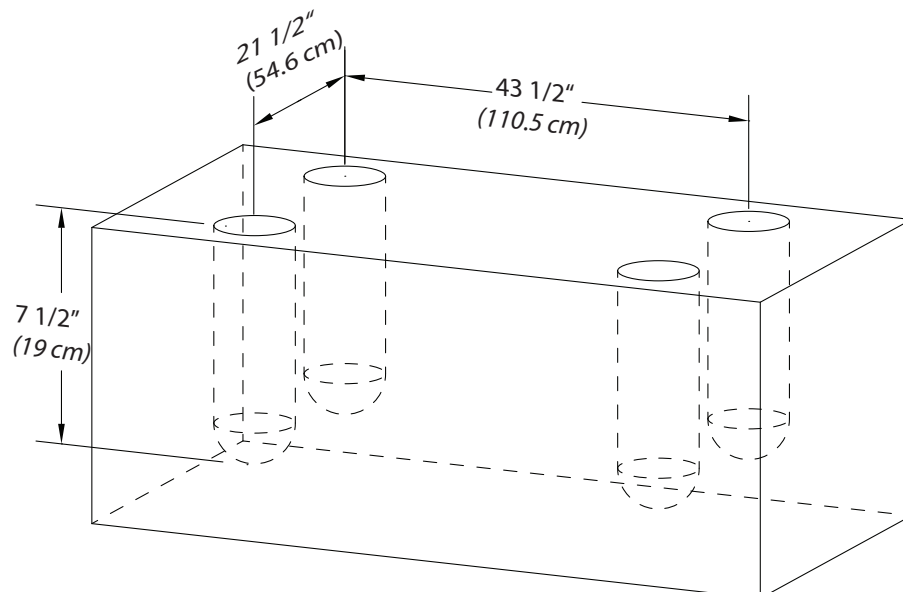
[www.newenglandarbors.co.uk](http://www.newenglandarbors.co.uk)

## STEP FOUR

### Arbor Installation

1

Dig four, 6" (15.25 cm) diameter holes x 7 1/2" (19 cm) Deep



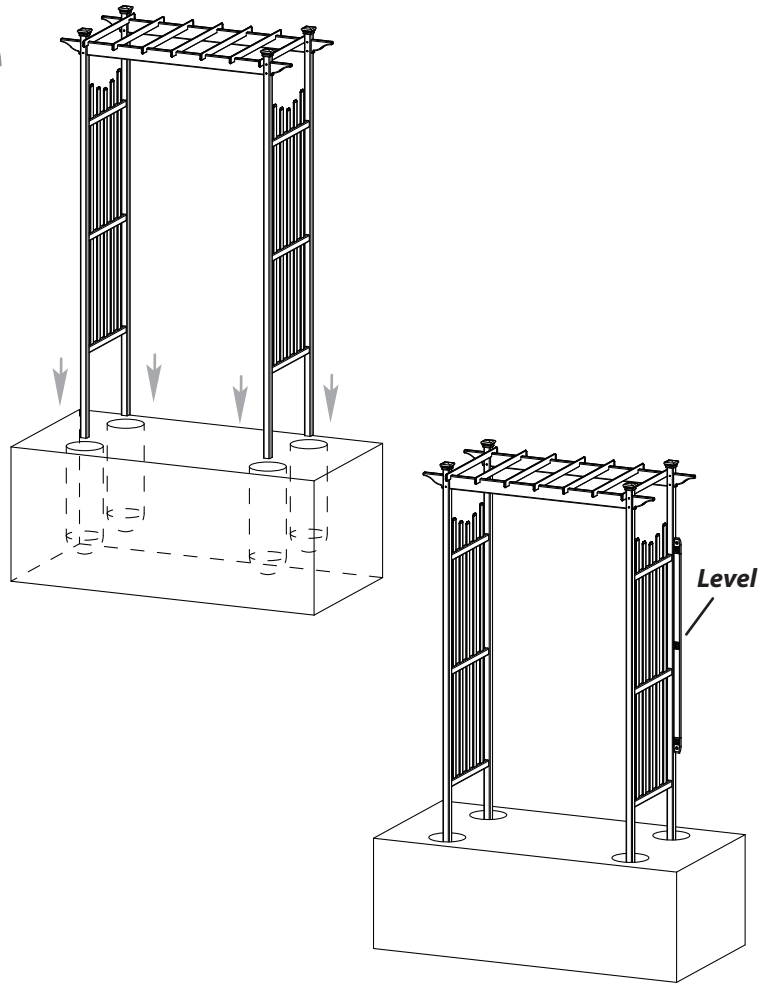
## STEP FOUR

### Arbor Installation

**A**

#### *Into Earth (temporary Installation):*

Move the arbor into the 7 1/2" deep (19 cm) holes, level it both vertically and horizontally and backfill the holes with the excavated soil to cover the posts.



**B**

#### *Into Earth with concrete footing (permanent Installation):*

Similar to the above step, move the arbor to its final location; fill the holes with wet cement flush to the ground.

Support the arbor and level over the holes with bricks, stones, or blocks of wood under the bottom rail of the side panel. Allow the concrete to set.

