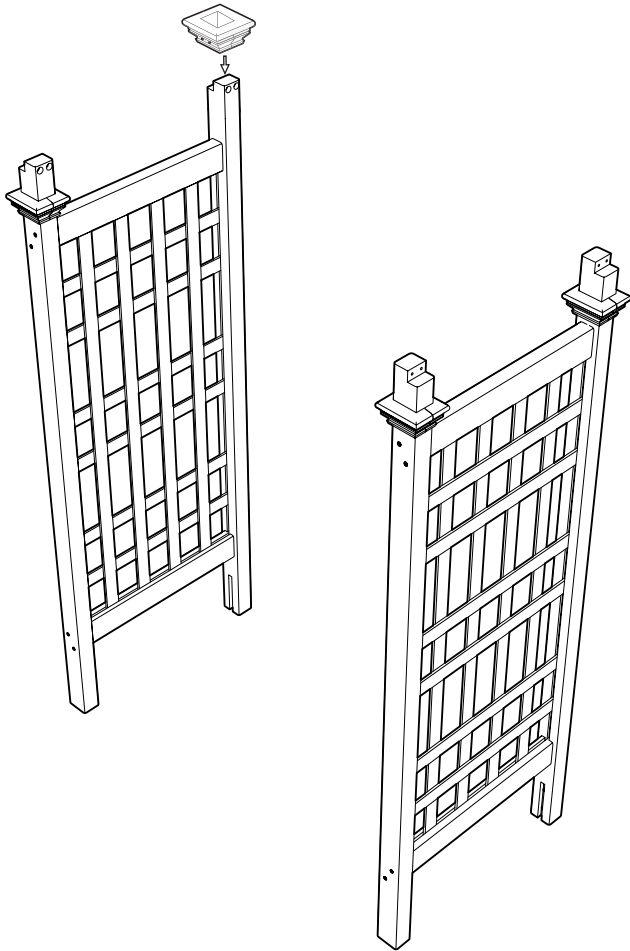
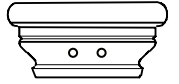


5

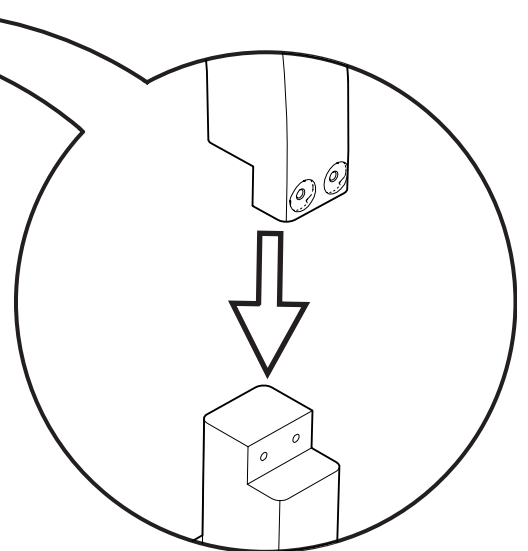
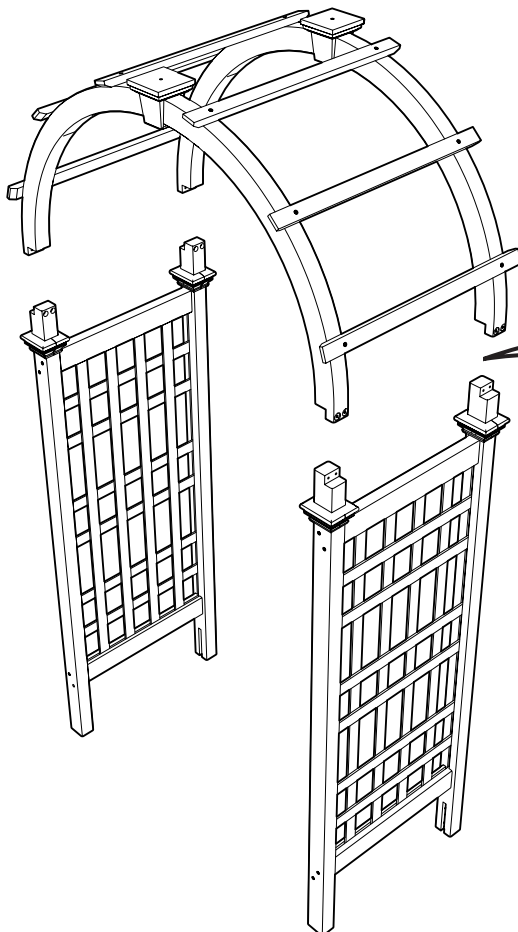


12001 - x4


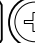


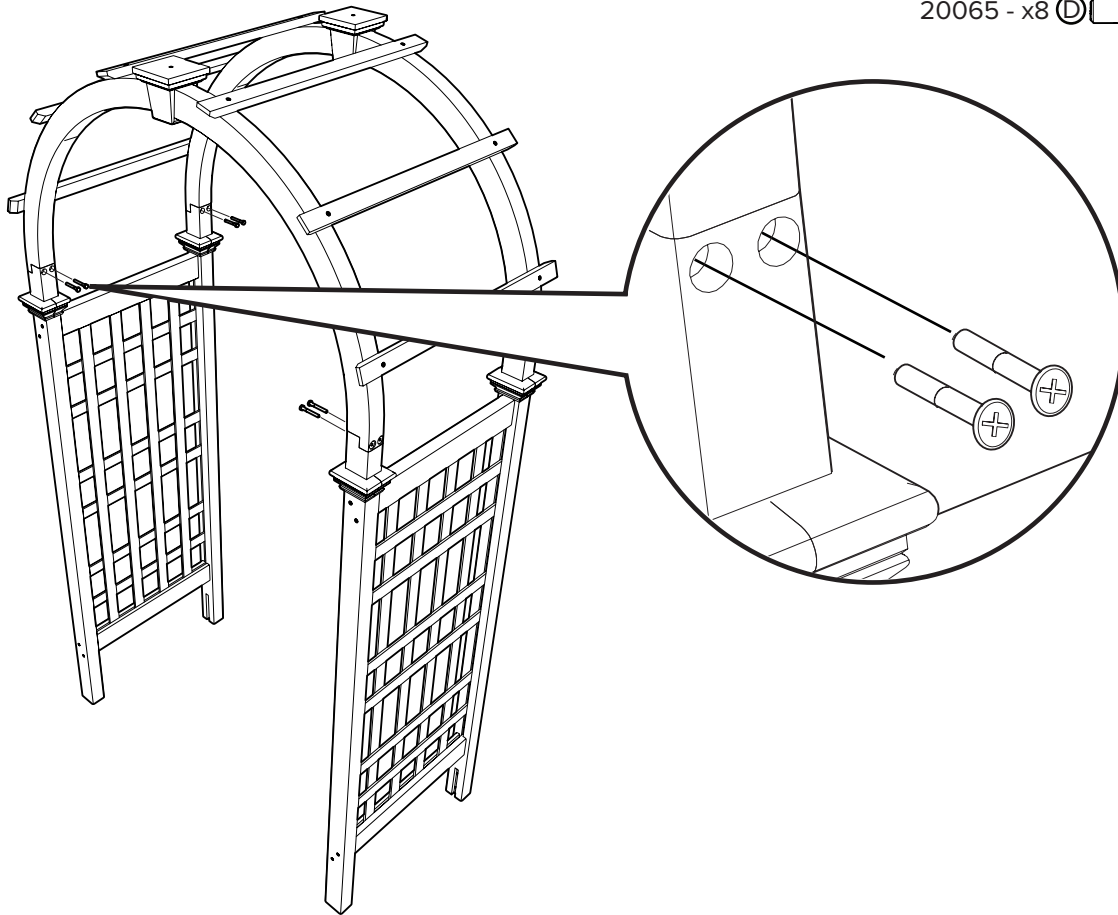
Screw holes to face
inside of arbor

6




7

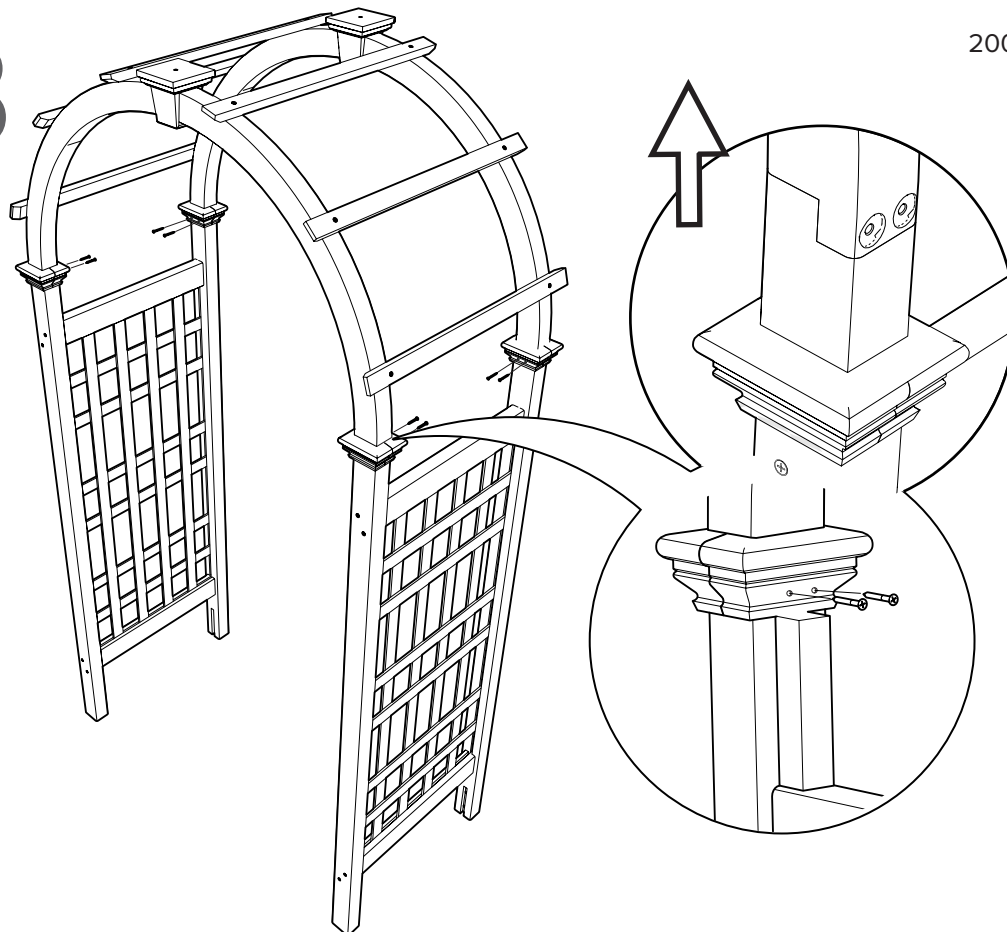
20065 - x8  




8

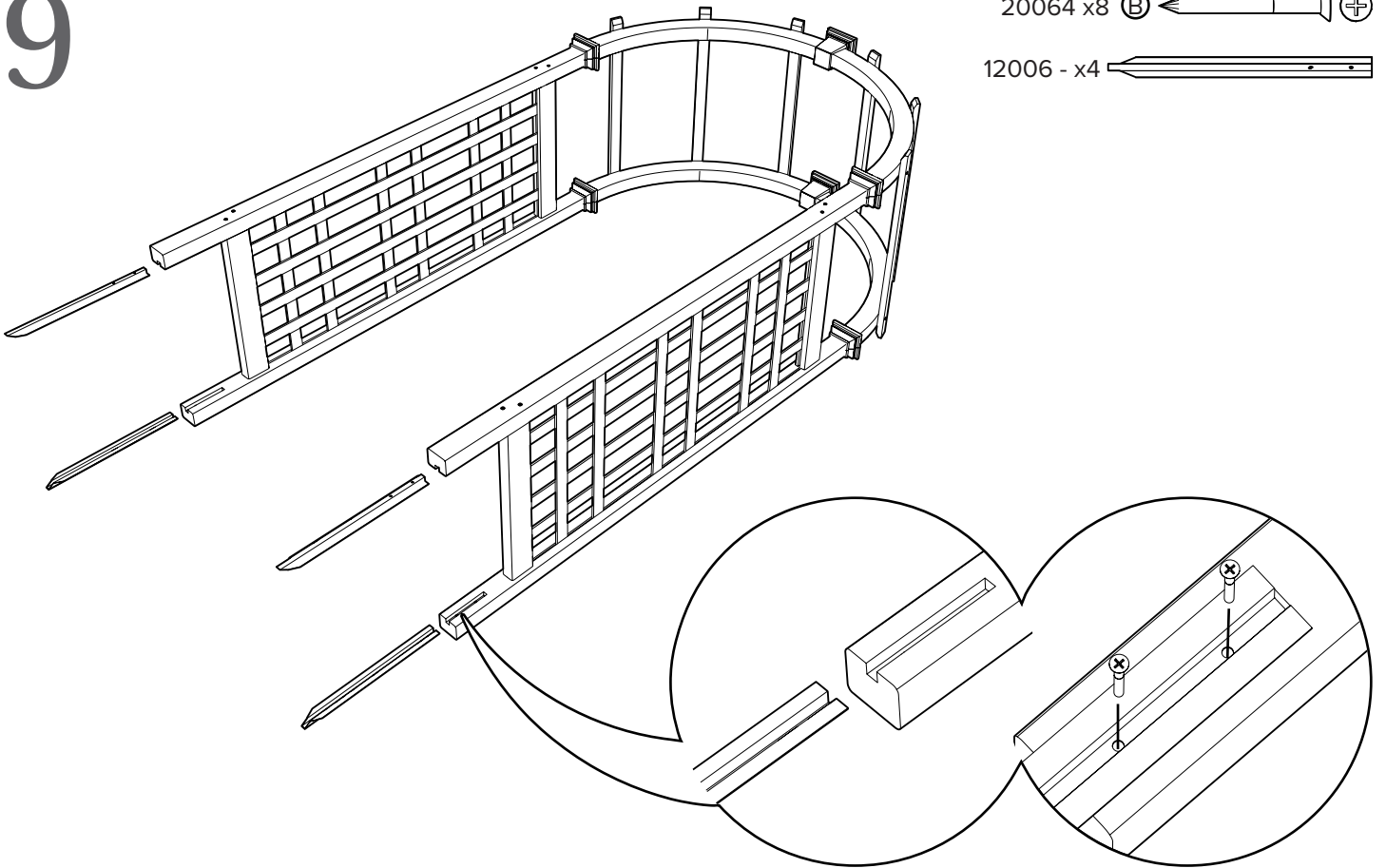
20071 - x8  

x1 

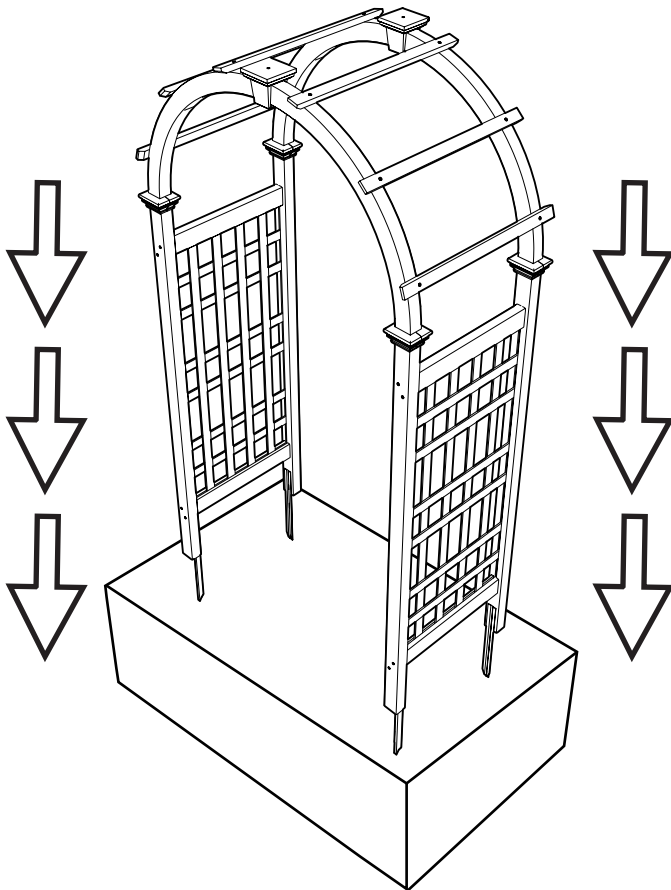


 Use wood block provided to help you hold post trim in place! Repeat for each trim

9



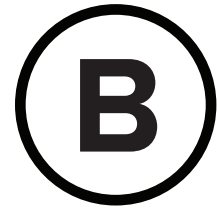
10



A

Temporary Installation

Carefully push arbor
stakes into desired
ground area



Permanent Installation

For a permanent installation, measure four 8in (20.3cm) holes in diameter, 44 1/2in (113cm) apart by 22in apart (56cm), from center to center. Dig each hole 14in (36cm) deep.

Fill excavated holes with mixed concrete and carefully lift arbor into place. Plumb and level the arbor.

The posts should not be set in the concrete.

Make sure to support bottom part of you lattice with bricks until concrete has set. This will stop your arbor from sinking.

