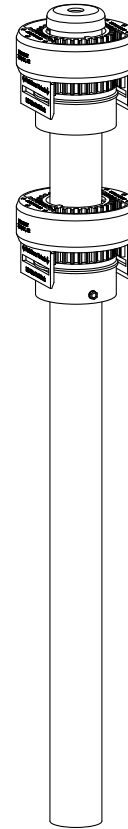
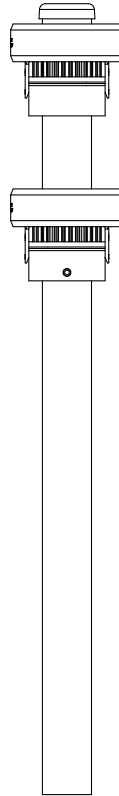
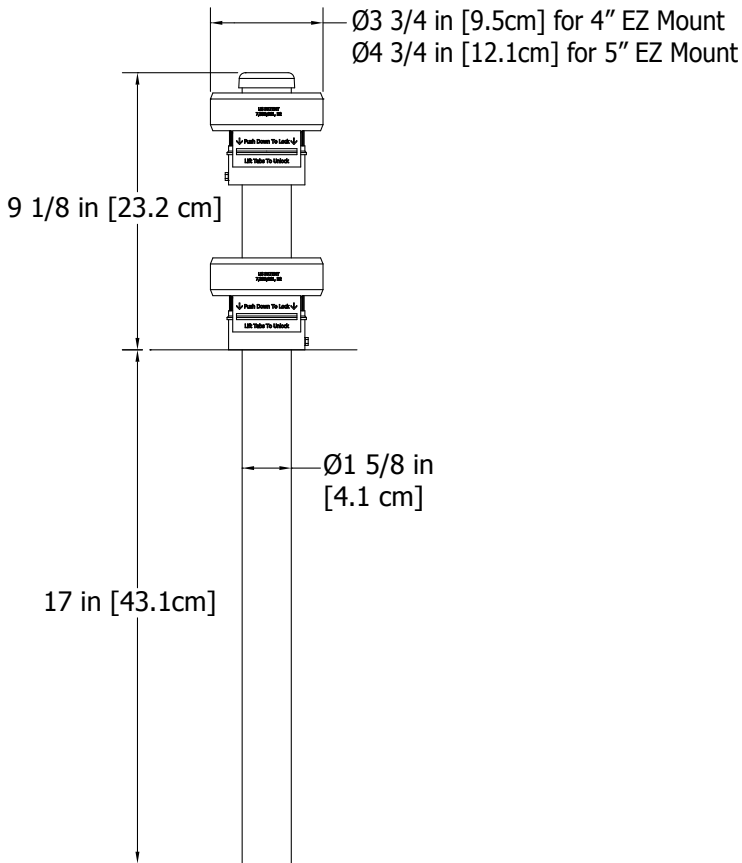


# ASSEMBLY INSTRUCTIONS

## 4" / 5" EZ Mount Post for Arbors



*Please read through before starting installation.*

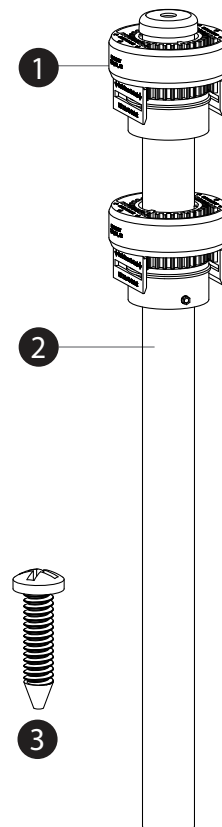
### Check Box for These Contents

In the event of missing or defective parts please call our customer service department at 1 800 282 9346 (Mon. to Fri. 8:00 AM to 5:00 PM EST).

1. Removable Donut (2) 4in Part Number 11145 / 5in Part Number 11148
2. Pipe Anchor Assembly (1) Ø1 5/8" x 26 1/8" - 11147
3. 5/8" (16mm) Self-Augering Stainless Steel Screw (4) 20016

### Tools You Will Need

- Sledge Hammer (5 or 10 lbs)
- Cordless Drill with Phillips Bit
- Spirit Level
- Adjustable Wrench
- Tape Measure



# STEP ONE

**1**

Using the instructions provided with your arbor, locate the center of the four post and mark accordingly.

**2**

Remove the top outer donut to prevent damage while driving the pipe into the ground. To remove, expand the two tabs at the bottom of the donut and pull upwards.

**3**

Position the pipe anchor at the desired location and using a sledge hammer, drive the anchor post into the ground 17 in [43.1cm].

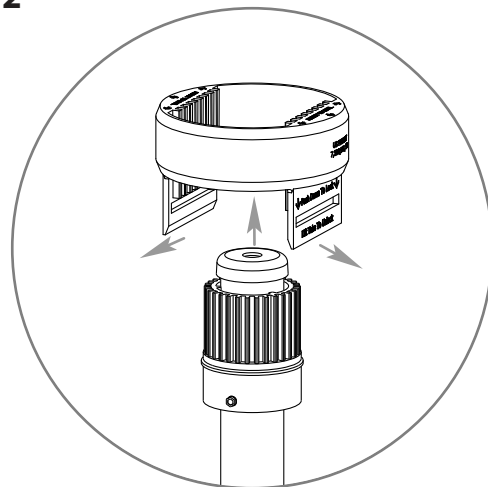
Try to drive the pipe as level as possible. Using a spirit level, check level every 6 in [15.2cm]. After about 12 in [30.5cm] deep the trajectory of the pipe is typically established and you cannot manually pull the pipe back into level.

**4**

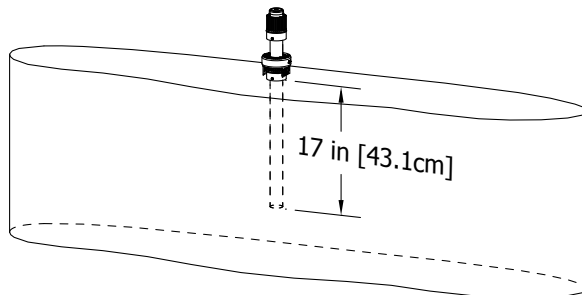
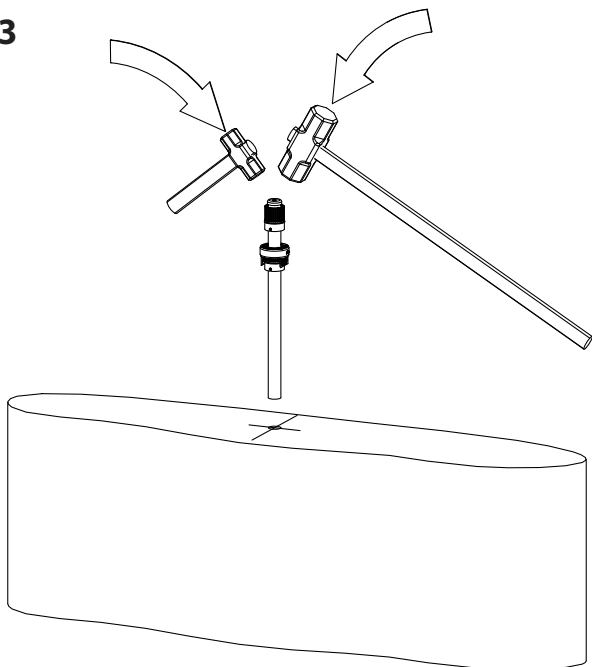
Reinstall the top out donut and adjust the bottom and top donuts to compensate for crooked pipe.

Repeat for all 4 posts.

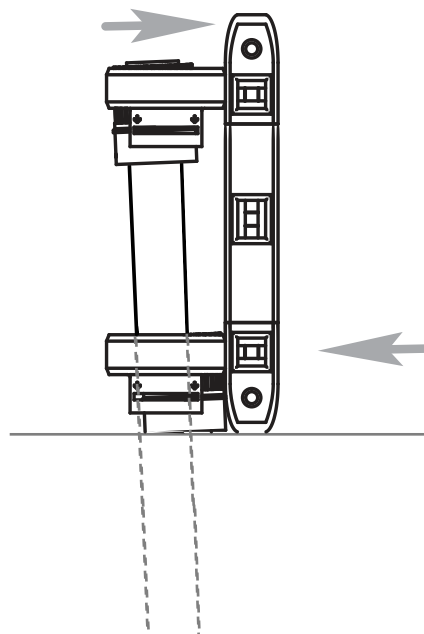
**2**



**3**



**4**



## STEP TWO

1

Slide the side panel over two of the pipe anchors as shown. (Or in some cases, with a helper, slide the entire arbor assembly over the 4 pipe anchors).

2

Fasten each of the post using the 5/8" (16mm) screws provided. The screw should bite into the bottom donut as shown.

