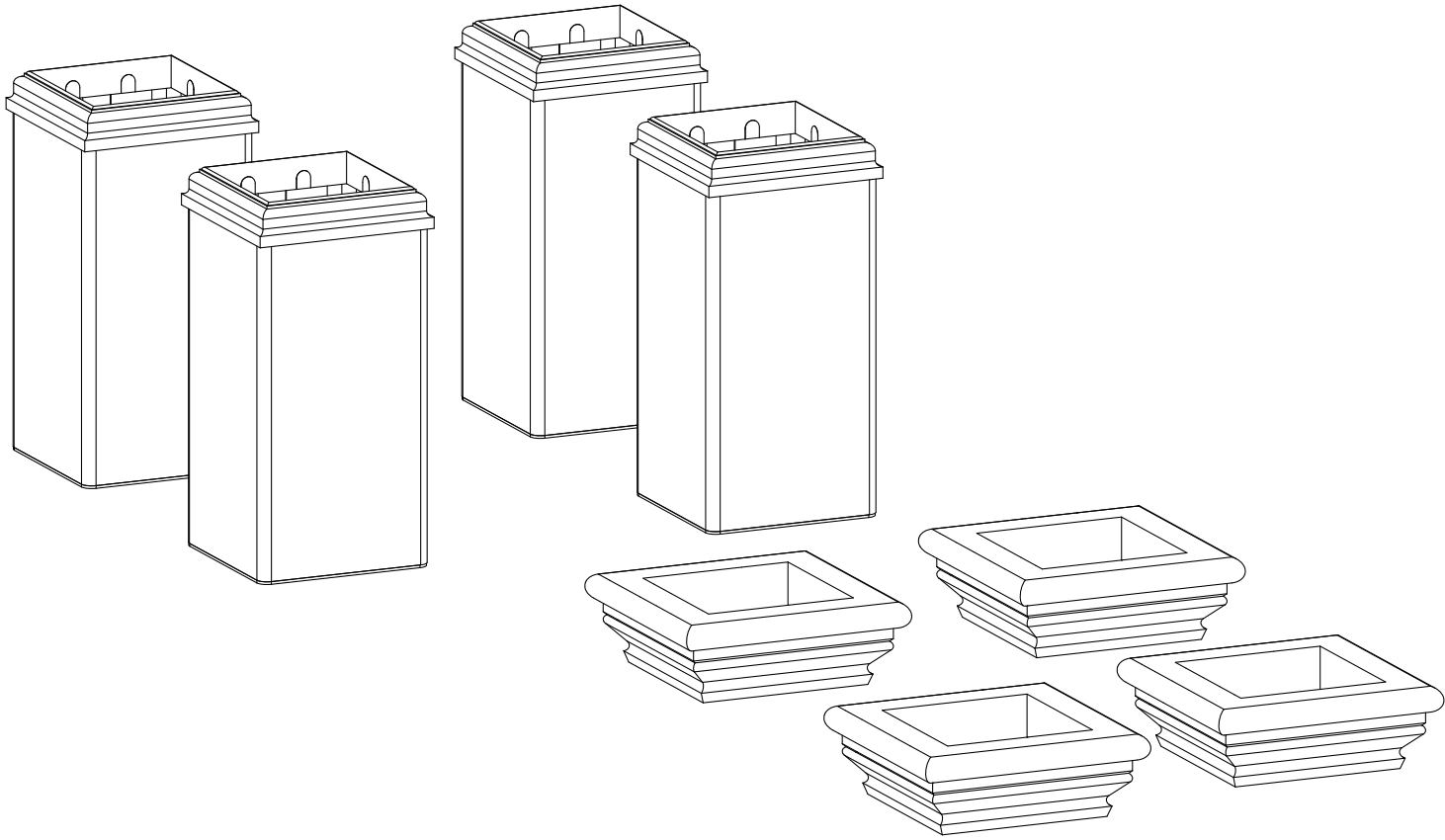


# ASSEMBLY INSTRUCTIONS

## 4x4 Base Molding



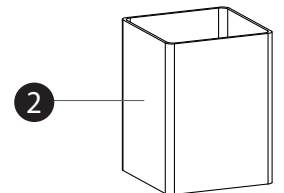
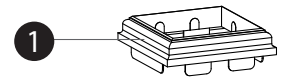
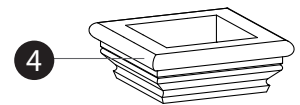
*Please read through before starting installation.*

### Check Box for These Contents

In the event of missing or defective parts please call our customer service department at **1 800 282 9346** (Mon. to Fri. 8:00 AM to 5:00 PM EST).

### 4" x 4" (10 cm x 10 cm) Trim Kit

1. Top Trim Cap (4) #10086
2. Extrusion (4) #10145 - 5" x 5" x 7 3/8" (13 cm x 13 cm x 18.7 cm)
3. Bottom Trim (4) #10088
4. 4" x 4" (10 cm x 10 cm) Post Trim (4) #10737-1
5. Vinyl Glue (1) #20000



5

3

# STEPS

**1**

Using the glue provided, run a small bead around the inside of the base molding extrusion.

**2**

Carefully place the bottom trim on one end of the base molding extrusion.

**3**

Run another bead of glue on the other (inside) end of the base molding extrusion.

**4**

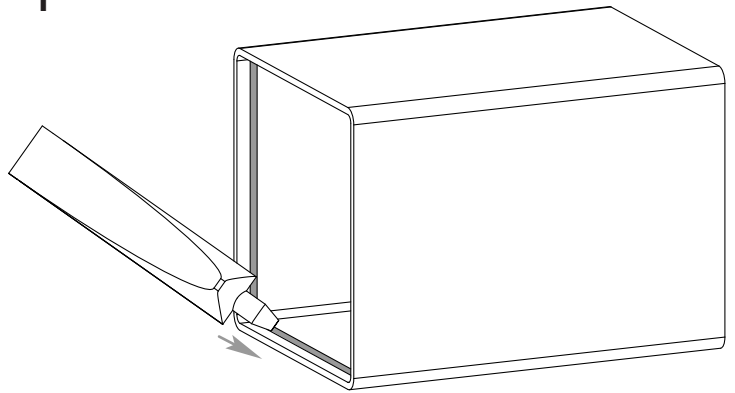
Carefully place the top trim cap on the base molding extrusion.

**5**

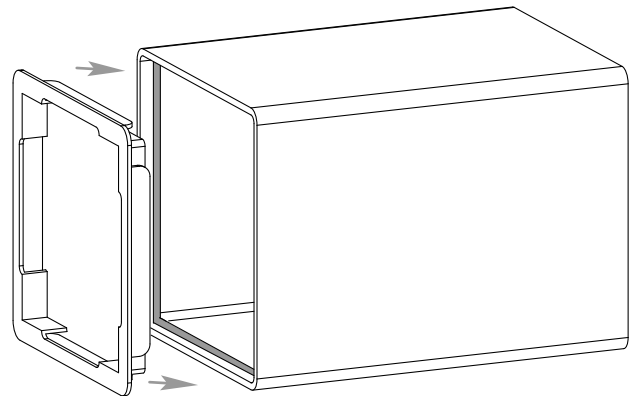
Repeat for all base moldings.

Note: Please allow the glue to set for 15 minutes prior to installing the base molding on the pergola/arbor.

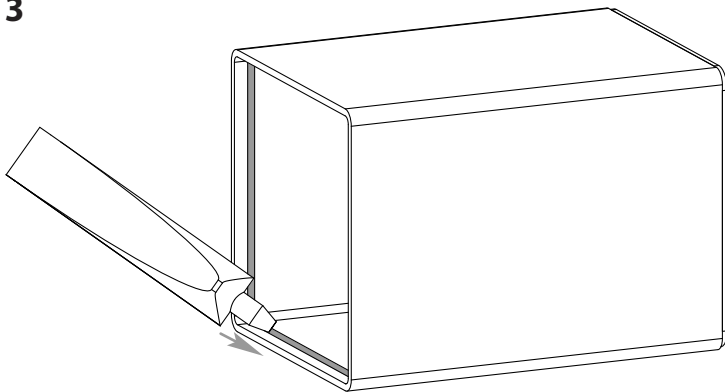
**1**



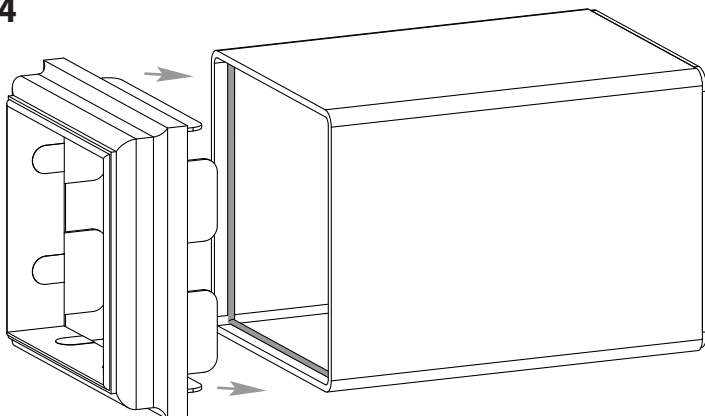
**2**



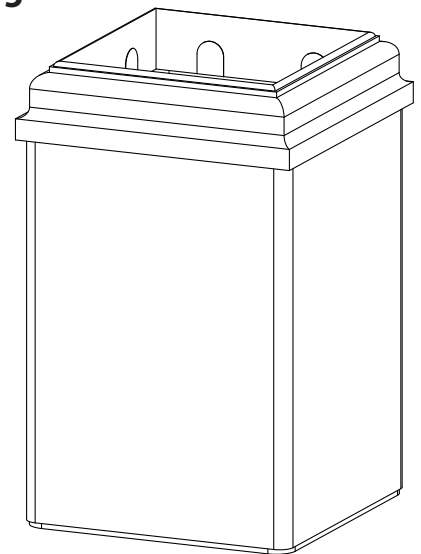
**3**



**4**



**5**



# STEPS

On the Bottom Trims, there is a notch alongside the inside face. this is designed to clear screw heads during installation:

**1**

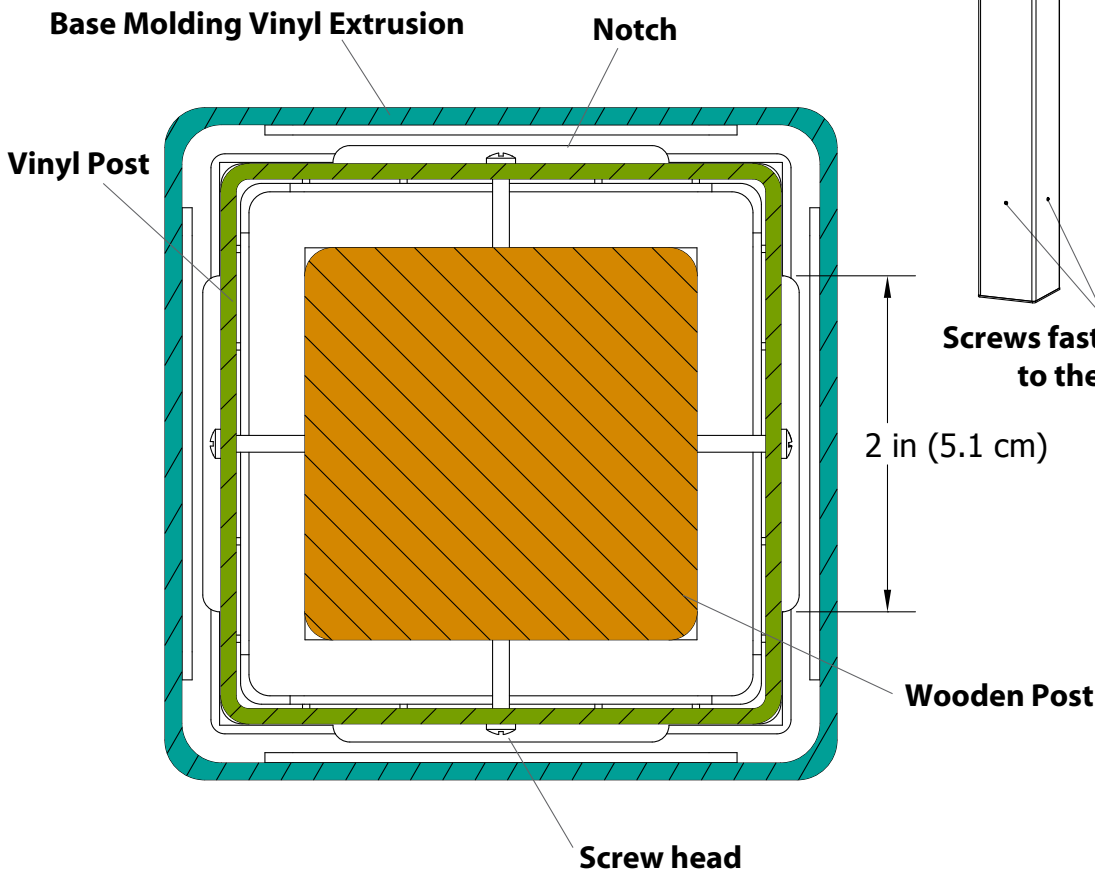
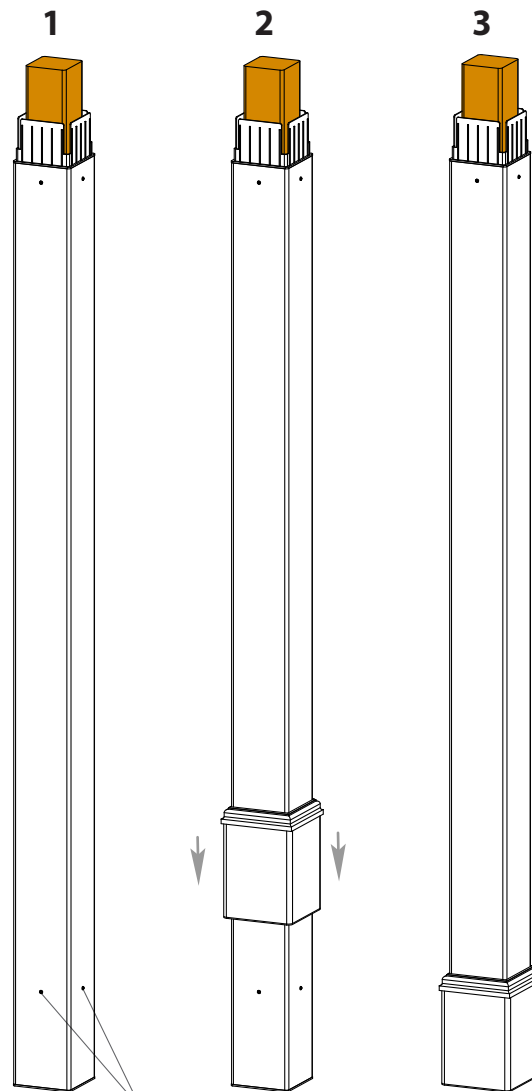
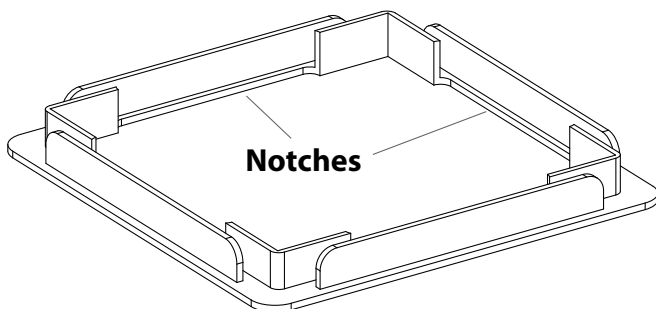
Typically your post would be fastened to a wooden post as shown.

**2**

The base molding then can slide down and clear the screw heads.

**3**

To make sure the base molding clears the screw heads, the screws fastening the post to the wooden post should be well within a 1½ in (4 cm) radius of the center of the post.



Section view showing the notches in the bottom trim clearing the screw heads.