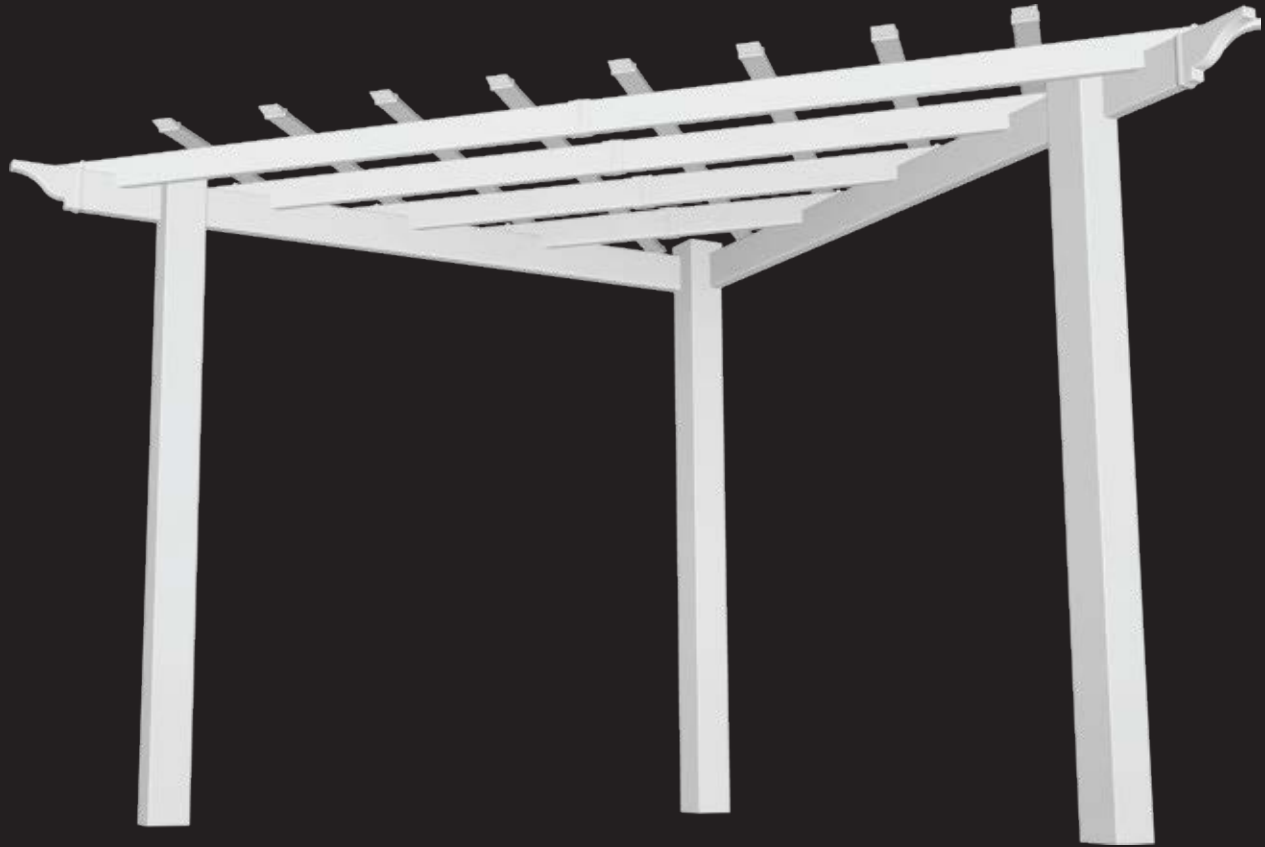
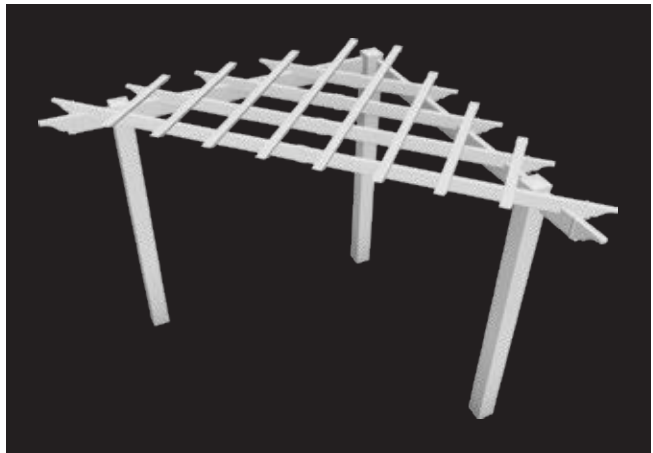


8 x 8 Corner Pergola



ASSEMBLY GUIDE



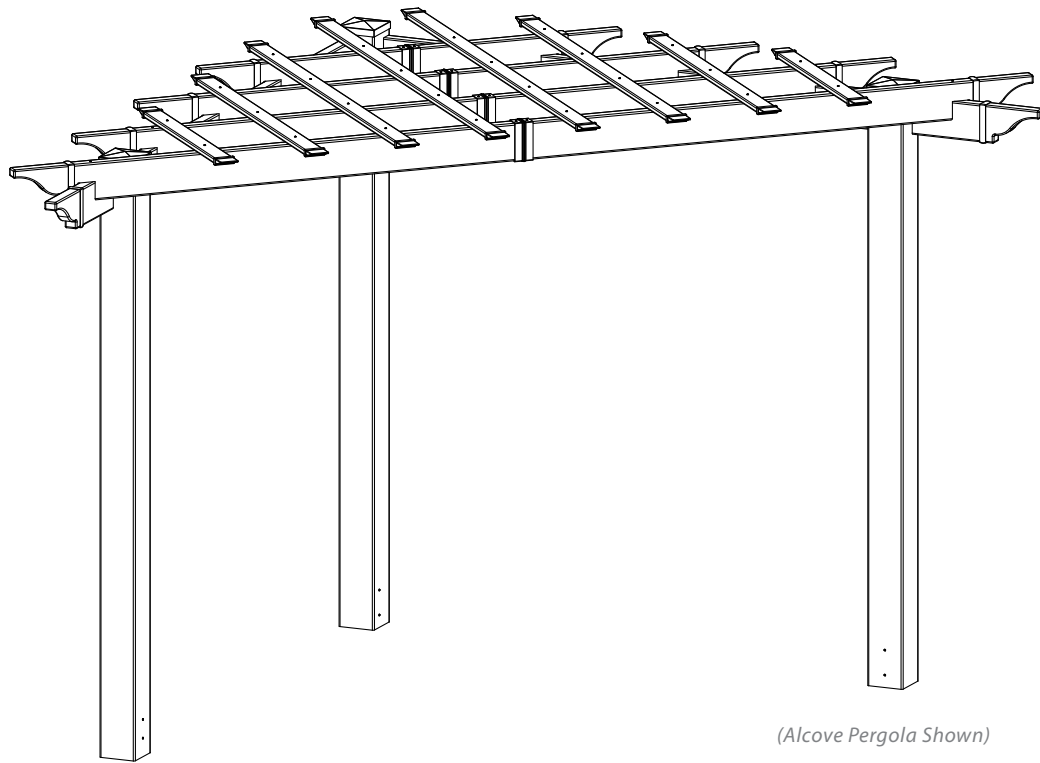
Model: **Alcove**



Table of Contents

Introduction & Overview.....	3
Pergola Materials Overview.....	4
Pergola Materials Breakdown.....	5
Pergola Additional Materials List.....	6
Wood Post Layout & Installation for In-Ground Application.....	7
Wood Post Layout & Installation using Steel Post Base for Concrete or Wood Surface.....	8
Vinyl Column Assembly and Installation Over Wood Posts.....	9
Main Support Beam Assembly.....	11
Main Support Beam Installation.....	12
Rafters Assembly.....	13
Rafters Installation.....	17
Shade Slats Installation.....	18
Post Caps and Decorative End Caps Installation.....	19

Introduction & Overview



(Alcove Pergola Shown)

Getting Started

First off, allow us to say thank you for the investment you have made in one of our fine pergola kits. This kit is designed to be assembled and installed ideally by two people with basic carpentry knowledge and tools. Do not attempt alone, especially during the installation stage. Should you decide to moderately modify the dimensions of your pergola from the standard kit size, a circular saw with a sharp fine-tooth blade is all that is needed to cut, shorten or modify the vinyl components. When assembling components place on a non-abrasive surface (ie: shipping box) to avoid scratching. We recommend a 15' x 15' area for unobstructed assembling. You should not need to use excessive force when assembling any components.

Planning & Preparing

The Alcove Pergola is made to stand independent of your home and you can either locate it near your house or let it stand alone in the garden. By keeping it unattached from your home you will not have to deal with moving existing gutters or matching eave heights. If you plan to build your pergola close to the house, please keep the outer extremities of the pergola a minimum of 4 inches back from your eaves.

What looks like the toughest part of this project is actually the easiest, the graceful, solid-looking columns. We've designed these columns to simply be slipped over treated 4x4 wood posts that are either embedded in concrete or directly mounted to a concrete or wood surface using our bolt down brackets. See pages 7, 8 and 9 for more details.

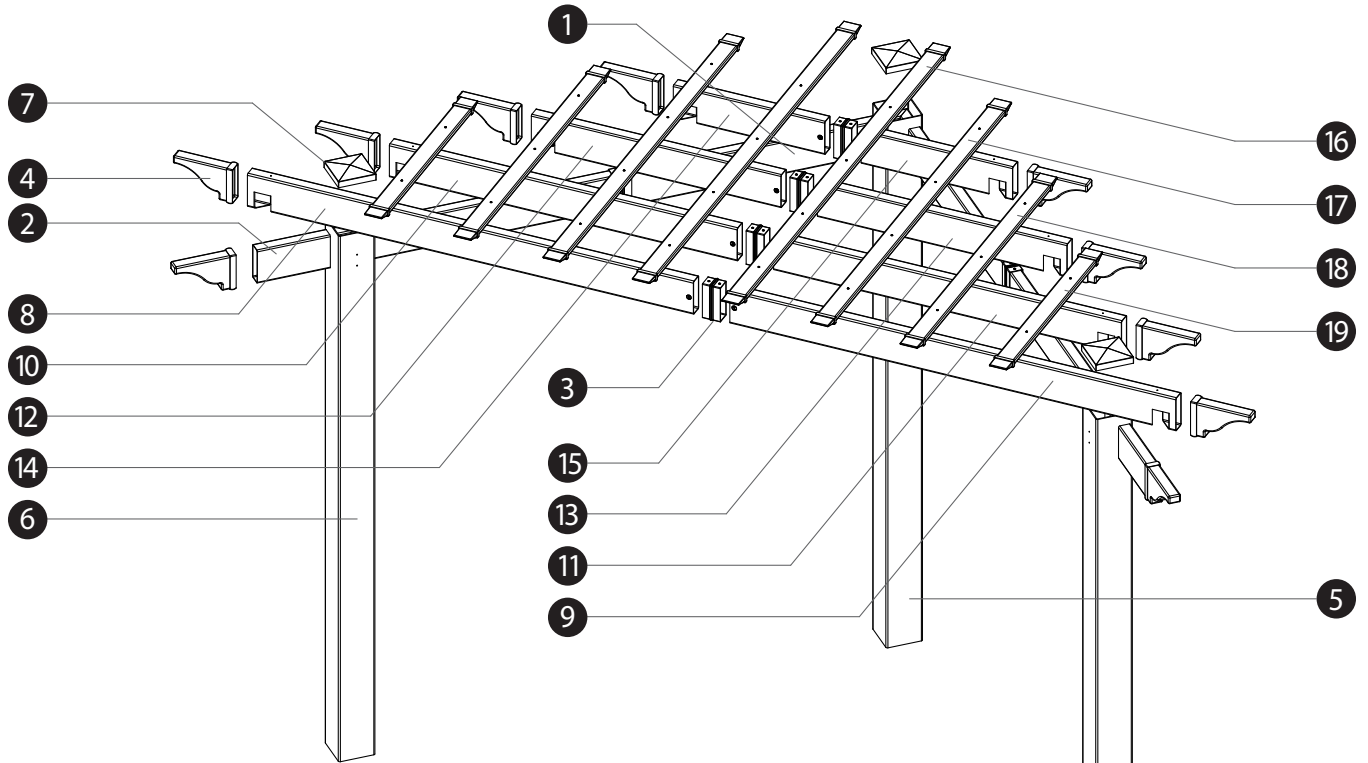
It is critical before you start that you consider the current slope of elevation where the pergola is planned - if there is any. Also utility or sprinkler line location is important to identify prior to excavating holes if necessary. You should also check to verify local building codes, ordinances, neighbourhood covenants, or height restrictions regarding this type of structure.

Restriction of Use

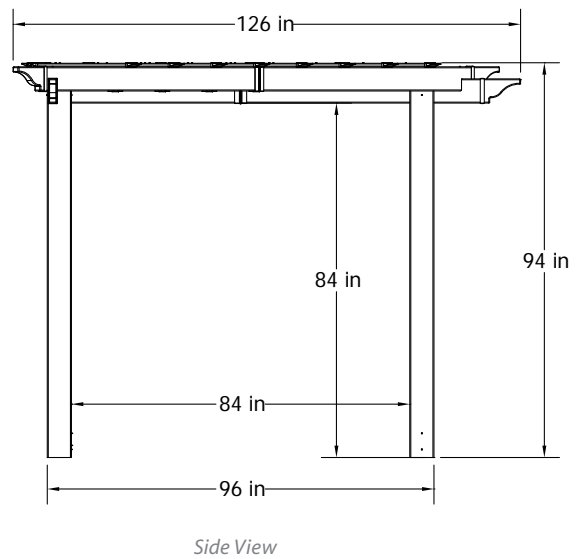
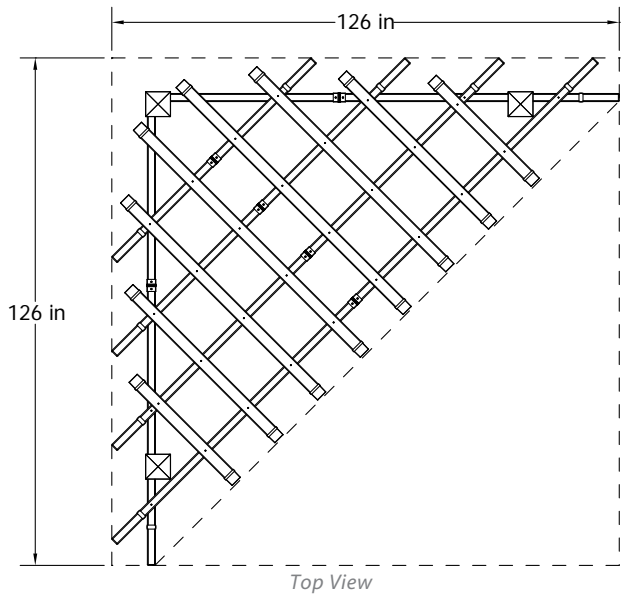
*This product **is not** designed to carry additional weight loads such as swings, people or other objects.*

Please take the time to read this instruction guide thoroughly prior to the construction of your pergola. If you have any questions, feel free to contact our technical dept by calling 1 800 282 9346 (Mon to Fri 8:00 A.M. to 5:00 P.M. EST).

Alcove Pergola Materials Overview



- 1. Beams - Inner (2) 2" x 6" x 47 1/2" - 10234
- 2. Beams - Outer (2) 2" x 6" x 60" - 10235
- 3. Beam and Rafter Joiners (6) 2" x 6" - 10820
- 4. Decorative Pergola Ends (10) 2" x 6" - 10829
- 5. Post - Corner (1) 6" x 6" x 92" - 10236
- 6. Post - Ends (2) 6" x 6" x 92" - 10237
- 7. Post Caps (3) 6" x 6" - 10238
- 8. Rafter - #1 Left (1) 2" x 6" x 75" - 10239
- 9. Rafter - #1 Right (1) 2" x 6" x 75" - 10241
- 10. Rafter - #2 Left (1) 2" x 6" x 58 1/2" - 10242
- 11. Rafter - #2 Right (1) 2" x 6" x 58 1/2" - 10243
- 12. Rafter - #3 Left (1) 2" x 6" x 42" - 10244
- 13. Rafter - #3 Right (1) 2" x 6" x 42" - 10245
- 14. Rafter - #4 Left (1) 2" x 6" x 25 1/2" - 10246
- 15. Rafter - #4 Right (1) 2" x 6" x 25 1/2" - 10247
- 16. Shade Slats - #1 (2) 7/8" x 3" x 79 3/4" - 10248
- 17. Shade Slats - #2 (2) 7/8" x 3" x 69 1/4" - 10249
- 18. Shade Slats - #3 (2) 7/8" x 3" x 52 3/4" - 10251
- 19. Shade Slats - #4 (2) 7/8" x 3" x 36 1/4" - 10253



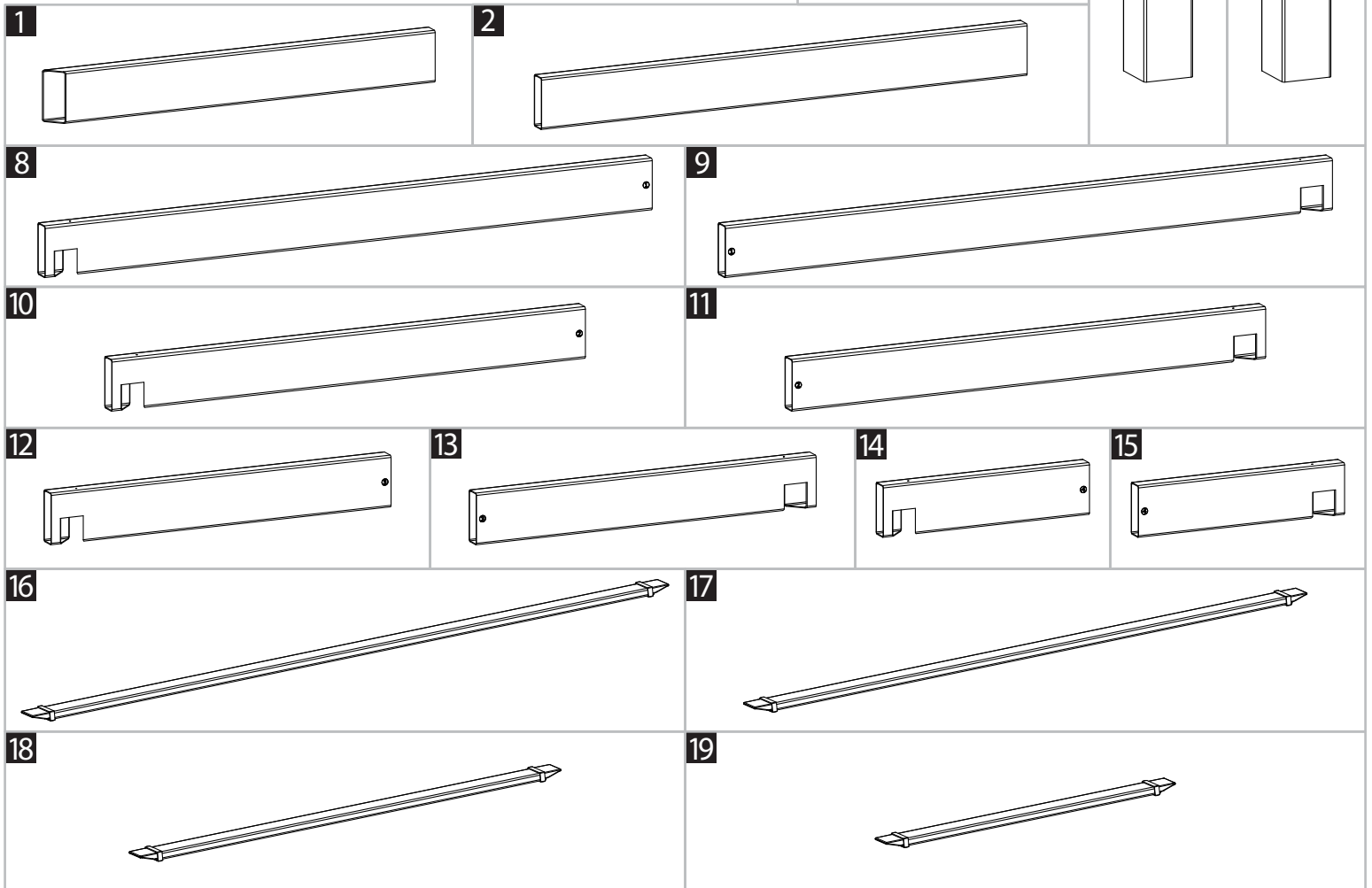
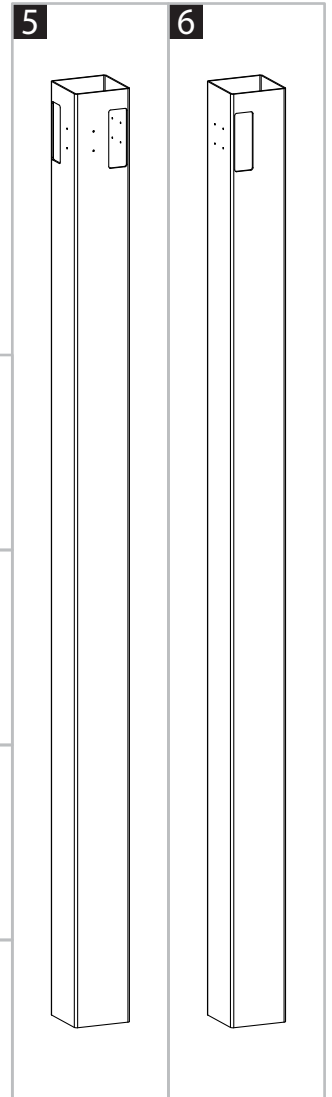
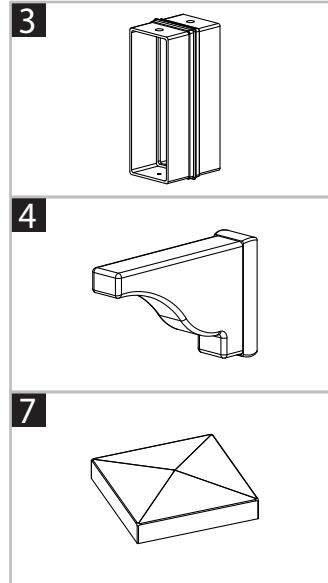
Alcove Pergola Materials Breakdown

Check Boxes (Total of 5) for These Contents

In the event of missing or defective parts please call our customer service dept. at **1 800 282 9346** (Mon. to Fri. 8:00 AM to 5:00 PM EST)

1. Beams - Inner (2) 2" x 6" x 47 1/2" - 10234
2. Beams - Outer (2) 2" x 6" x 60" - 10235
3. Beam and Rafter Joiners (6) 2" x 6" - 10820
4. Decorative Pergola Ends (10) 2" x 6" - 10829
5. Post - Corner (1) 6" x 6" x 92" - 10236
6. Post - Ends (2) 6" x 6" x 92" - 10237
7. Post Caps (3) 6" x 6" - 10238
8. Rafter - #1 Left (1) 2" x 6" x 75" - 10239
9. Rafter - #1 Right (1) 2" x 6" x 75" - 10241
10. Rafter - #2 Left (1) 2" x 6" x 58 1/2" - 10242
11. Rafter - #2 Right (1) 2" x 6" x 58 1/2" - 10243
12. Rafter - #3 Left (1) 2" x 6" x 42" - 10244
13. Rafter - #3 Right (1) 2" x 6" x 42" - 10245
14. Rafter - #4 Left (1) 2" x 6" x 25 1/2" - 10246
15. Rafter - #4 Right (1) 2" x 6" x 25 1/2" - 10247
16. Shade Slats - #1 (2) 7/8" x 3" x 79 3/4" - 10248
17. Shade Slats - #2 (2) 7/8" x 3" x 69 1/4" - 10249
18. Shade Slats - #3 (2) 7/8" x 3" x 52 3/4" - 10251
19. Shade Slats - #4 (2) 7/8" x 3" x 36 1/4" - 10253

Not to Scale



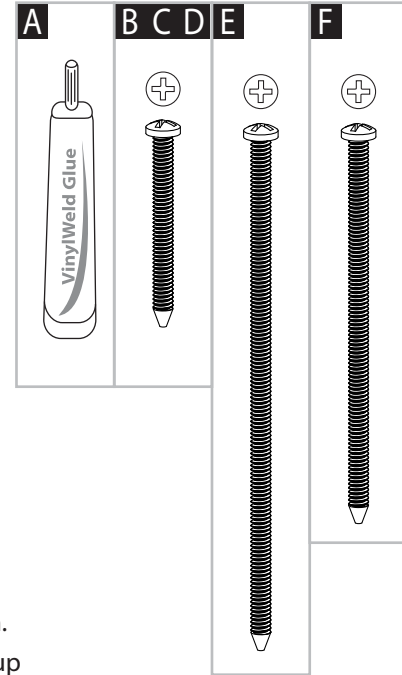
Pergola Additional Materials List

Hardware *(in plastic bag)*

NOTE: WE HAVE INCLUDED 10% EXTRA SCREWS BEYOND WHAT IS IDENTIFIED BELOW.

All Screws Included with this Kit are Self-Auguring.

- A. Vinyl Weld Glue (2) - 20000
- B. 1 1/2" Self-Auguring Stainless Steel Screws (14) - 20005 (to lock vinyl post and wood post together)
- C. 1 1/2" Self-Auguring Stainless Steel Screws (24) - 20005 (to lock Rafter and Beam Joiner)
- D. 1 1/2" Self-Auguring Stainless Steel Screws (26) - 20005 (to lock shade slats onto rafters)
- E. 4" Self-Auguring Stainless Steel Screws (8) - 20006 (to lock rafters onto beams)
- F. 3" Self-Auguring Stainless Steel Screws (16) - 20007 (to lock vinyl post and wood post together)



If Mounting Pergola on Concrete (not intended to be installed on concrete pavers, patio stones, or interlocking bricks) or Wood Deck

- G. 4x4x8' Pressure-Treated Wood Posts (3) (purchase at local building center)
- H. 4x4 Steel Post Base Kit (3) (purchase from local building center)

Consult the Post Base Kit instructions for hardware requirements, as they pertain to your application.

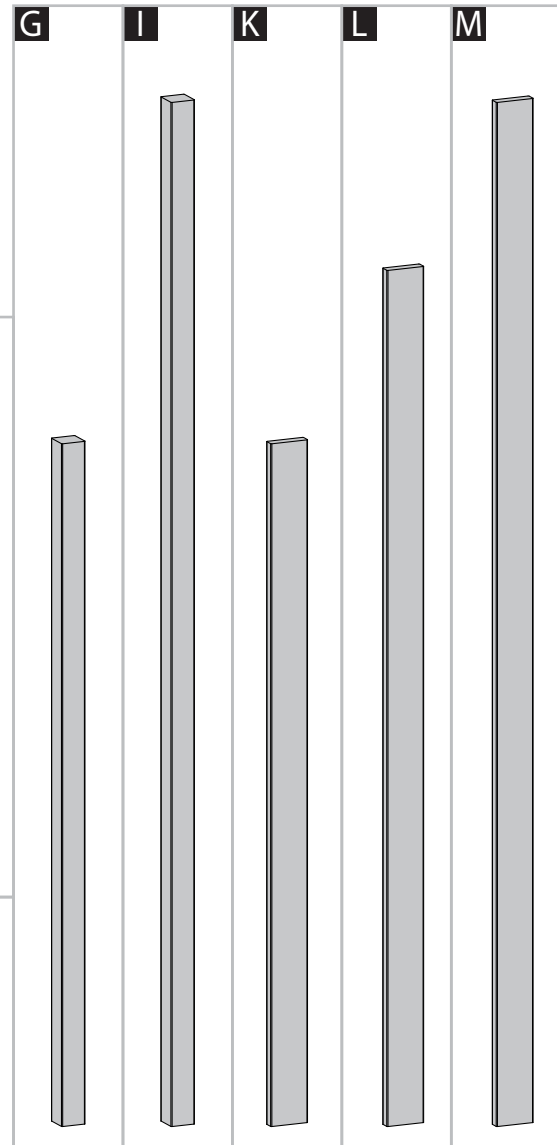
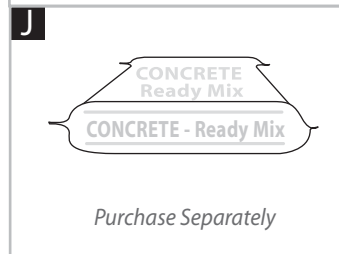
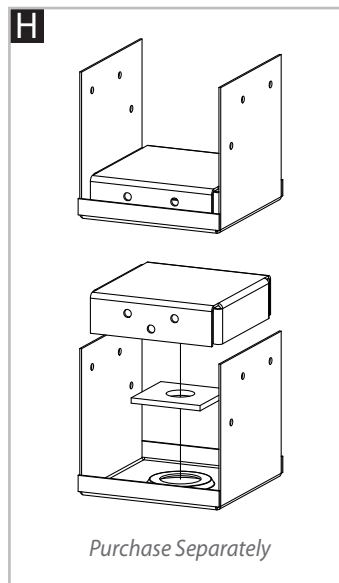
Be sure to purchase a flush-mount style Post Base Kit as the wooden posts will need to be installed up against the inside of the vinyl posts.

If Mounting Pergola in Ground

- I. 4x4x12' Pressure-Treated Wood Posts (3) (purchase at local building center) - Cut down to 10'-6"
- J. Concrete Ready Mix (3) (purchase at local building center)

Rafter/ Beam Support (Required)

- K. 2x6x8' Pressure-Treated Boards (2) (purchase at local building center)
- L. 2x6x10' Pressure-Treated Board (1) (purchase at local building center)
- M. 2x6x12' Pressure-Treated Boards (2) (purchase at local building center)



Purchase Separately

Tools You Will Need

- Level
- Hammer
- Tape Measure
- String Line
- Wood Stakes (4) (temporary support for string line)
- Step Ladders (2)
- Cordless Drill

Tools You May Need

- Circular Saw with Fine Tooth Blade
- Framing Level
- Framing Square

Wood Post Layout & Installation for In-Ground Application

This pergola can also be installed on a pre-existing wood or concrete surface using our bolt down bracket system with a 4x4 wood post (sold separately). See page eight for more details.

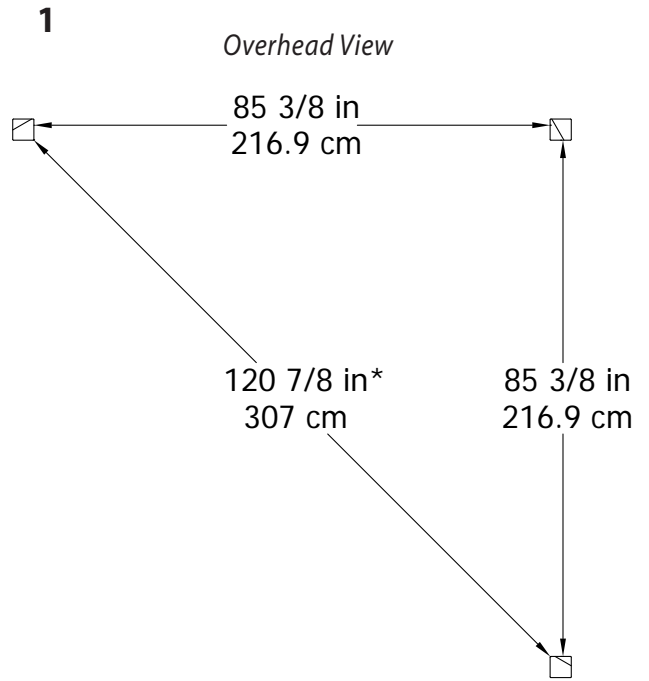
Post location and placement is the most critical step in the overall installation process. Please double check for the possibility of any underground utilities such as sprinkler, gas or telephone lines.

STEP ONE

Measure and mark out the location of the pergola posts using string line and temporary wood stakes. Diagonal distances must be the same to ensure a square installation. Adjust string lines accordingly. The inside corner of the string lines will be the post location.

Please Note:

Should you decide to moderately modify the dimensions of your pergola from the standard kit size, a circular saw with a sharp fine-tooth blade is all that you need to cut, shorten or modify the vinyl components.



* from corner of wood post to corner of wood post.

STEP TWO

Install Wood Supporting Posts Directly into the Ground

1

After you have determined where the posts will be located, excavate 10" diameter x 36" deep post holes.

2

After holes are dug and cleaned, place the 4x4 wood post into a hole ensuring it's level and square to string lines. The final post height should be a maximum of 90" out of the ground.

3

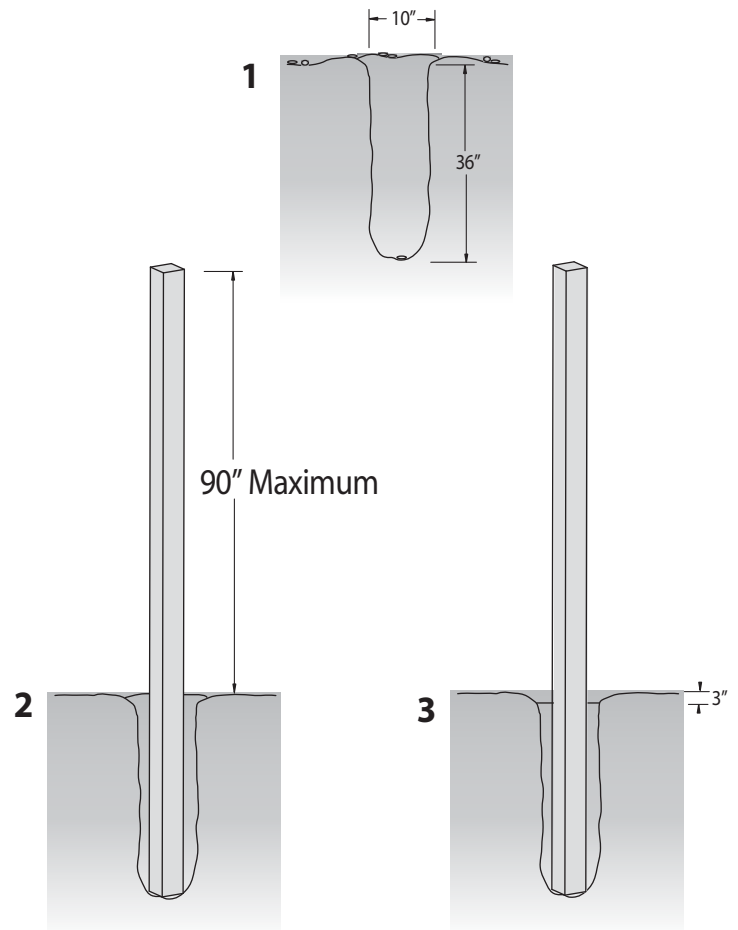
Fill the vacant hole with pre-mixed concrete all the way to within 3" of the top of the hole. Once concrete has set, back fill 3" space with soil.

4

Repeat for all four posts.

Please Note:

Some 4x4 pressure treated posts can be larger than 3 1/2" x 3 1/2" square due to twisting or cracking. In extreme cases, you may need to shave down the top of the 4x4 wood slightly to get the vinyl post started over the wood post. Before installing your wood posts in the ground, please check to confirm this and correct at this stage if necessary.



OPTIONAL STEP

Wood Post Layout & Installation Using Steel Post Base for Concrete or Wood Surface

1

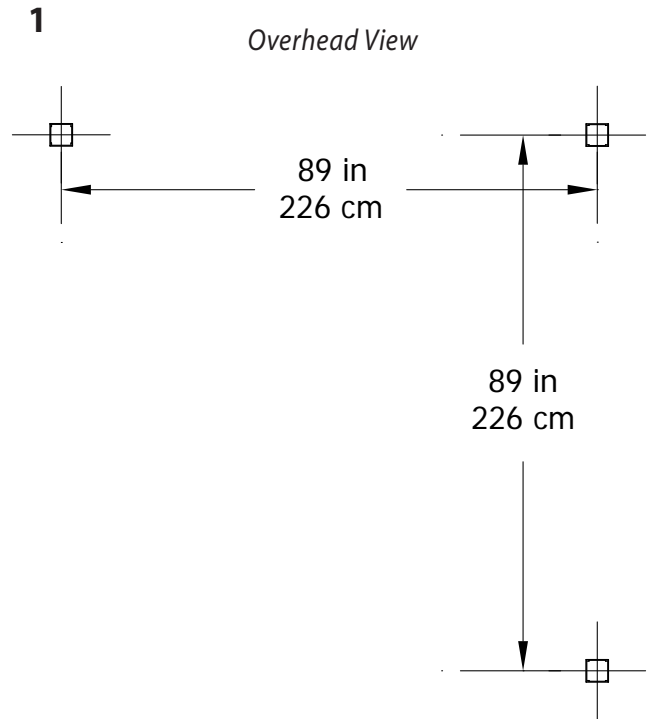
Measure and mark out the location of the steel post bases using measurements shown aside. Note that measurements are center-to-center. For dimensions between the wood posts, refer to the previous page.

2

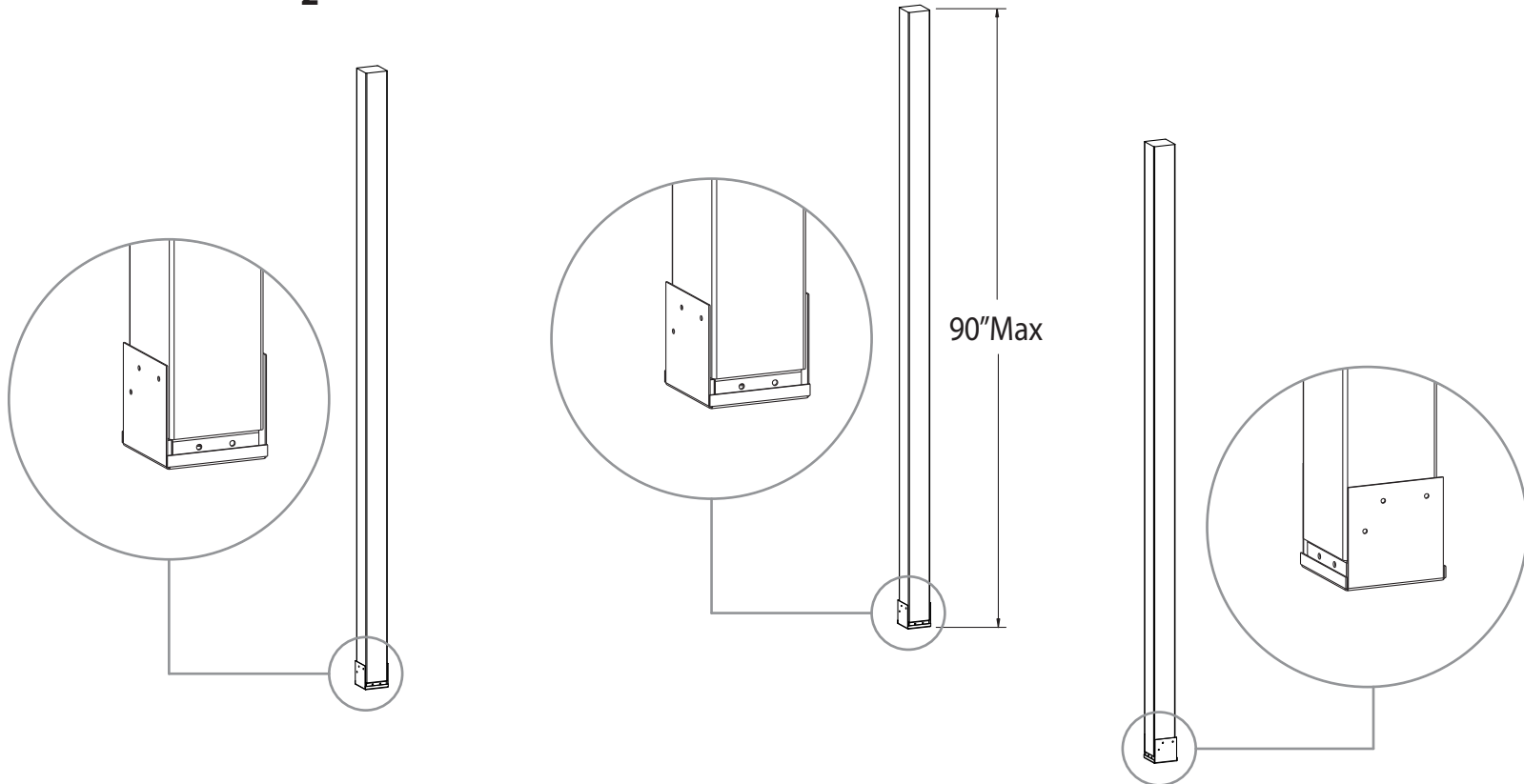
Fasten the steel post bases to your concrete or wood surface and to the wooden posts according to the manufacturer's instruction. Note the orientation of the "open face" for the post bases.

3

Depending on the thickness of the stand off on the post base, you may need to cut the wooden posts down. The overall height of the wooden posts should be no more than 90".



2



STEP THREE

Vinyl Column Assembly & Installation Over Wood Posts

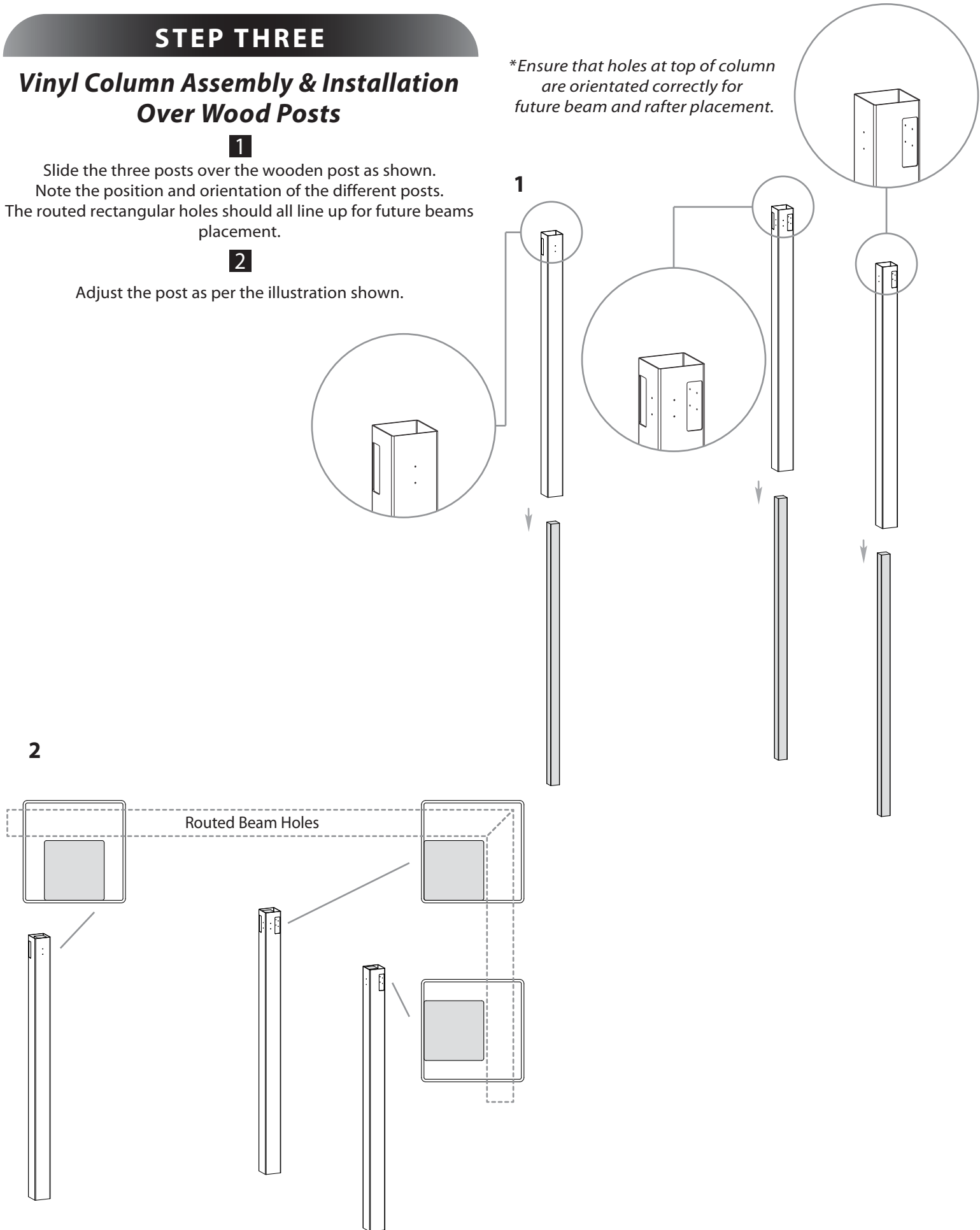
1

Slide the three posts over the wooden post as shown. Note the position and orientation of the different posts. The routed rectangular holes should all line up for future beams placement.

2

Adjust the post as per the illustration shown.

**Ensure that holes at top of column are orientated correctly for future beam and rafter placement.*



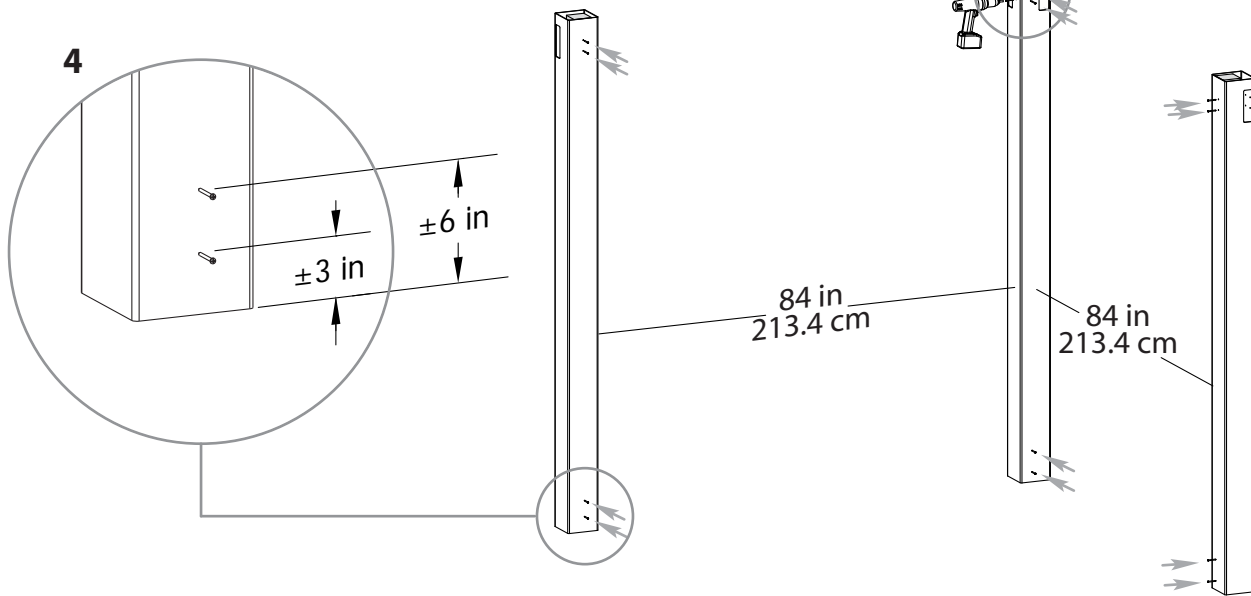
STEP THREE

3

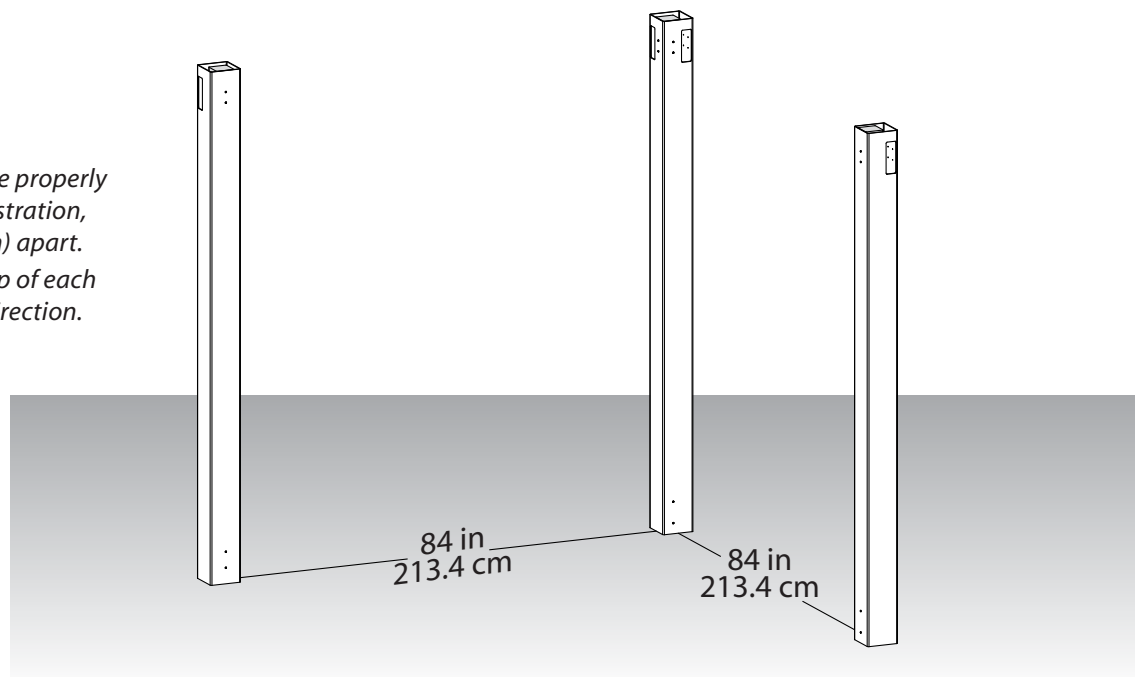
Fasten the top of the vinyl post to the wooden post using a total of eight 1 1/2" screws through the pre-drilled holes as shown. Make sure the posts are 84 inches apart.

4

Fasten the bottom of the vinyl post to the wooden post using a total of six 1 1/2" screws as shown. The screws should be approximately 3 and 6 inches off the ground.



At this stage, the columns should be properly installed as per the following illustration, with the columns 84" in. (213.4 cm) apart. Also, notice that the holes at the top of each post should be facing the same direction.



STEP FOUR

Beams Assembly

1

Insert an inner beam followed by a joiner and an outer beam as shown.

Note the mitered end.

2

Insert a 2x6x8' board into the beam. The joiner may need to be detached from the two beam sections to guide the board through.

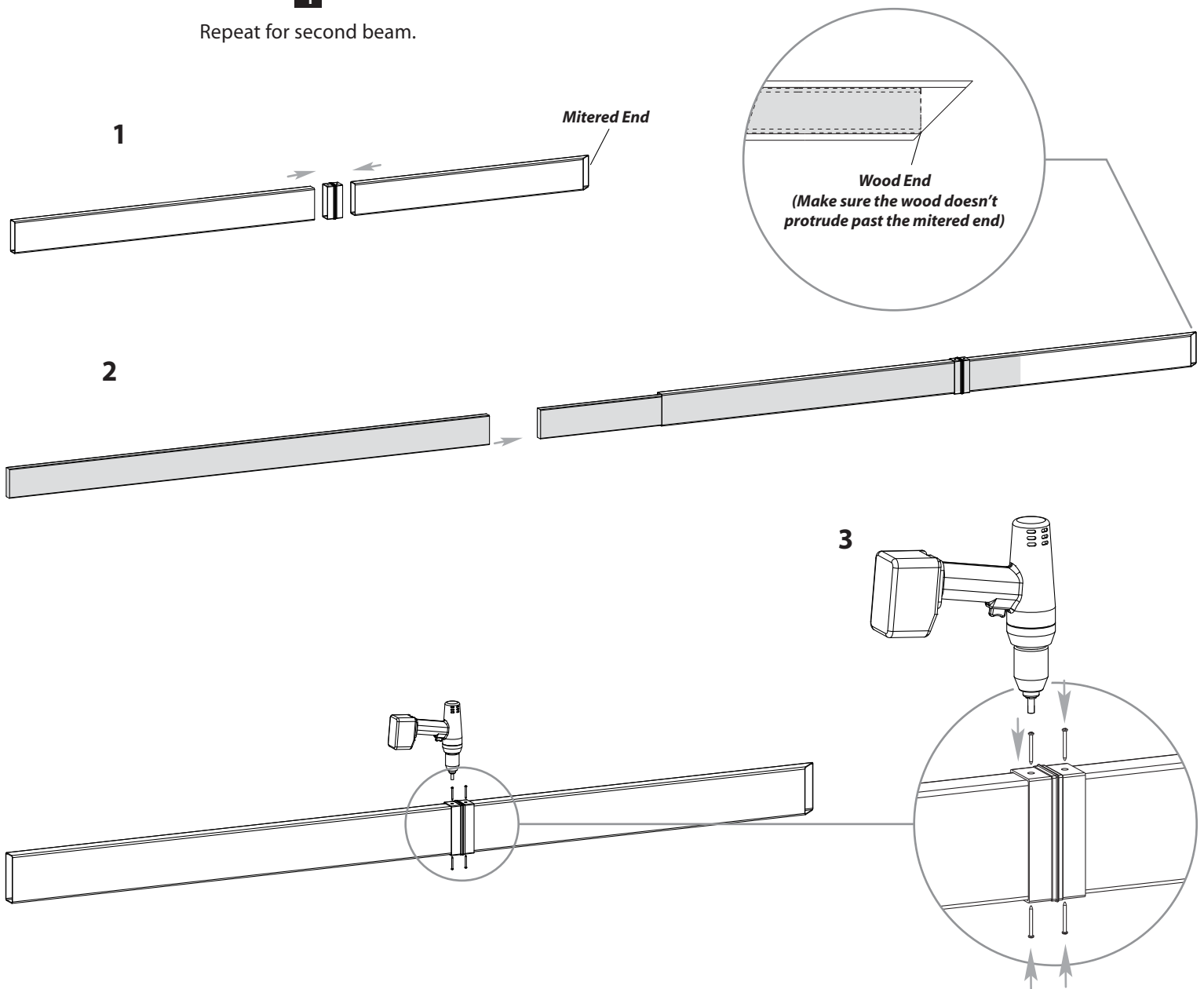
Board should be inserted up to the mitered end

3

Fastened the joiner through the beam pieces and wood insert using a total of 4 1 1/2" screws as shown.

4

Repeat for second beam.



STEP FIVE

Beams Installation

1

With a helper, insert the non-mitered end into the routed holes at one of the end posts as shown. Overshoot the post by a few inches to allow the mitered end to be inserted in the next step.

2

Slide the beam over and into the routed hole in the corner post as shown until it bottoms out inside the post.

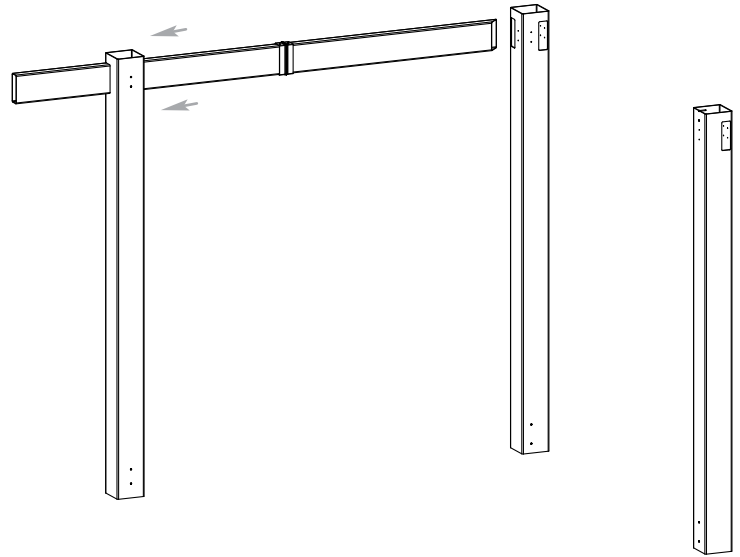
3

Repeat for second post.

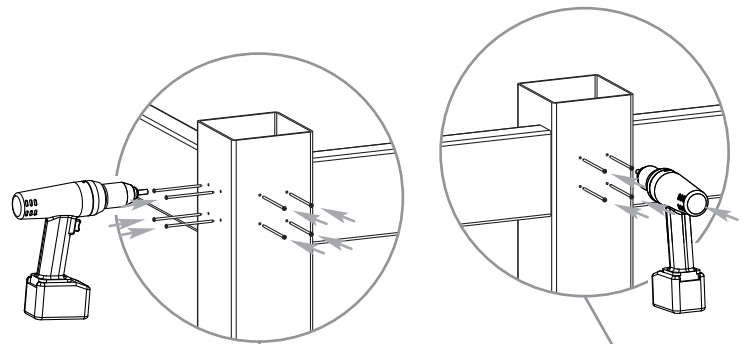
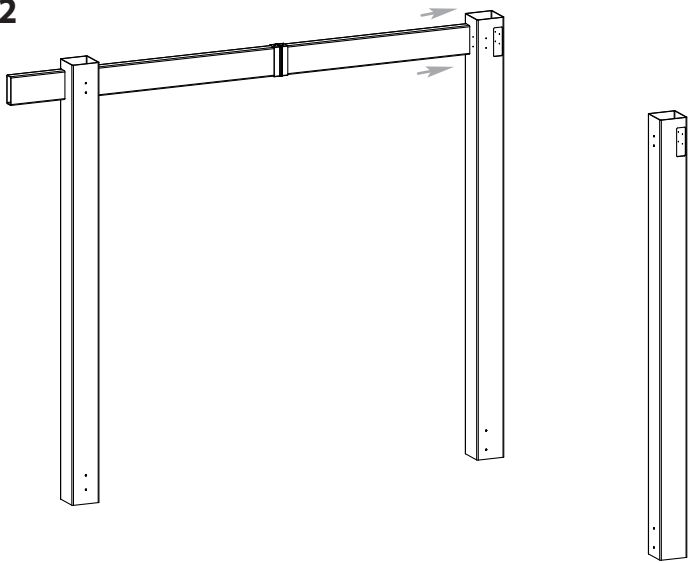
4

Fasten the beams to the posts using a total of sixteen 3" screws as shown.

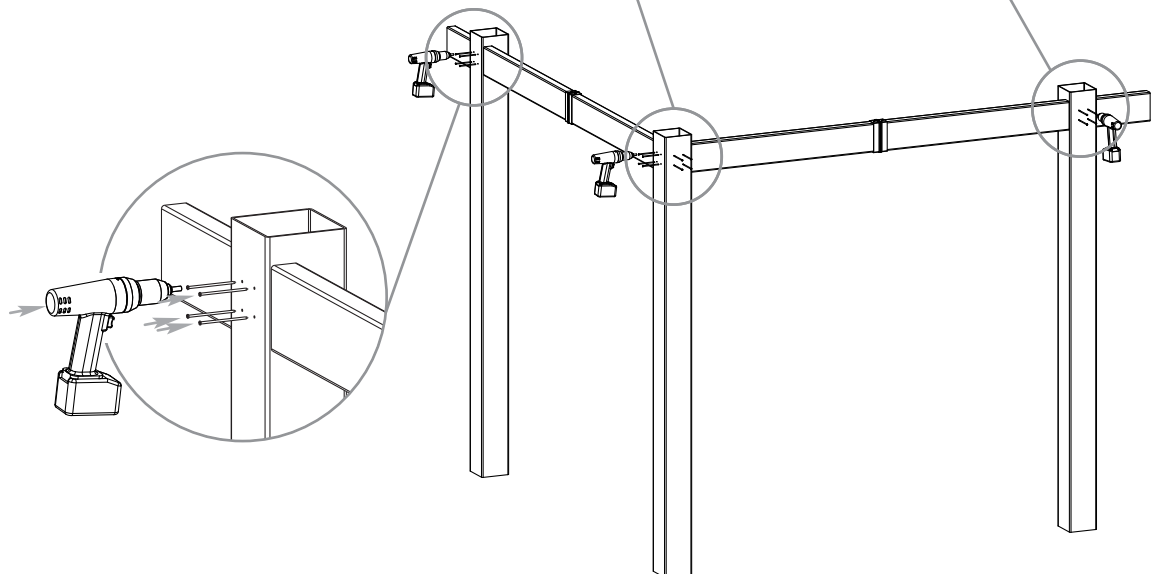
1



2



4



STEP SIX

Rafter #1 Assembly

1

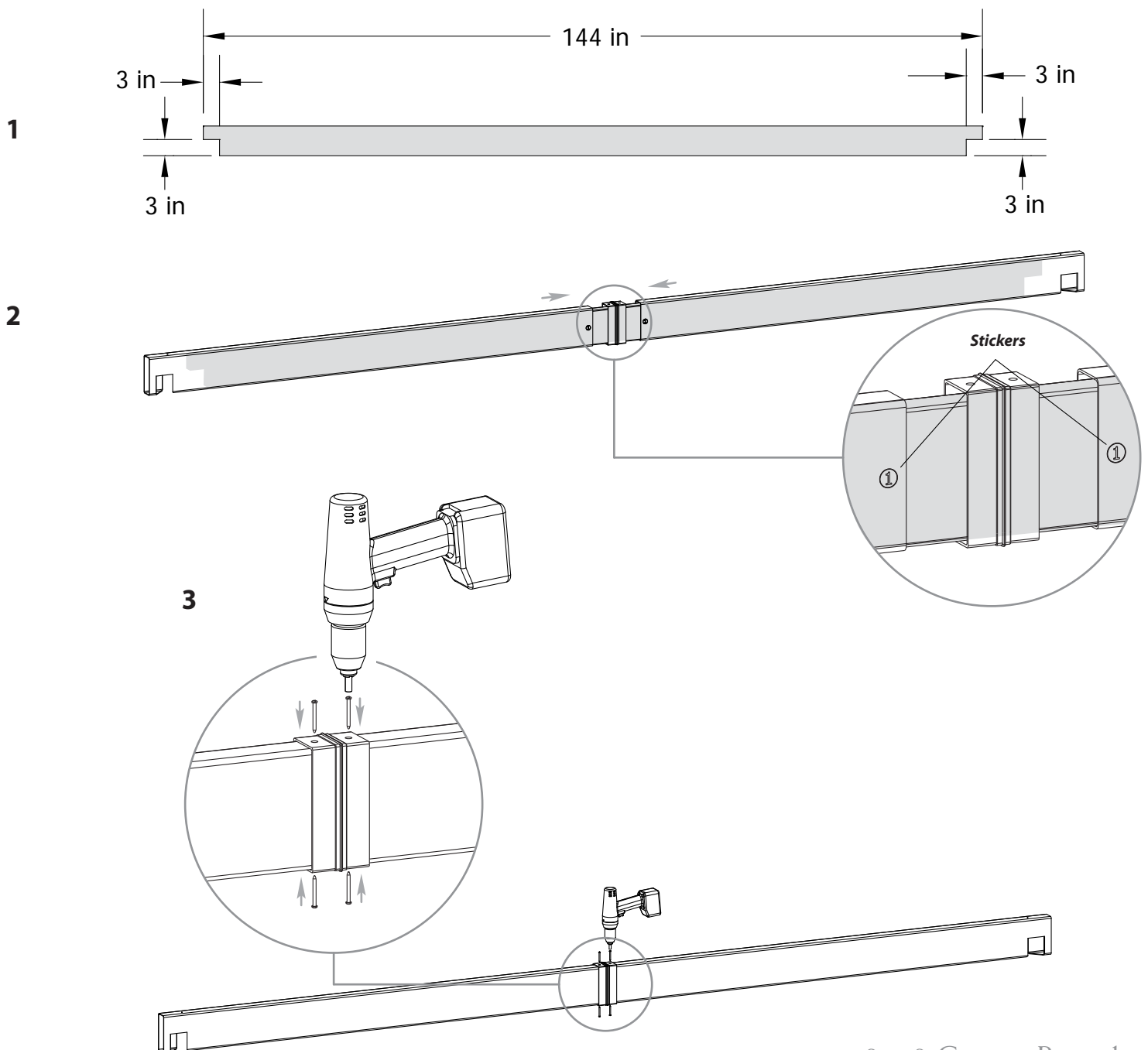
Take one of the 2x6x12' board and notch out the ends as shown.

2

Insert the board through a joiner followed by the #1 Left and #1 Right Rafters as shown. Note: the stickers indicating the rafters should meet inside the joiner.

3

Center the wood insert about the rafter and fasten the joiner with four 1 1/2" screws as shown.



STEP SEVEN

Rafter #2 Assembly

1

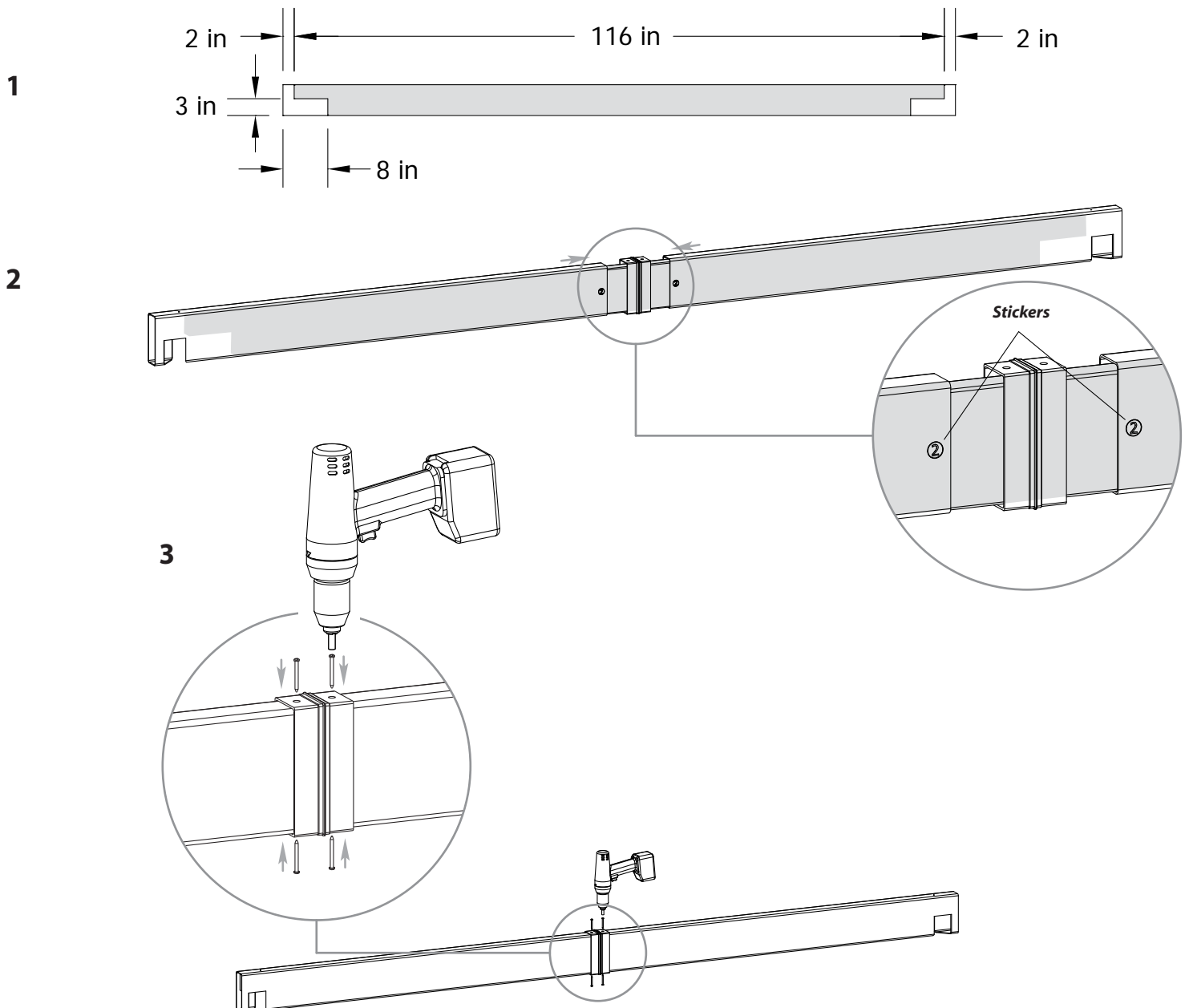
Take the 2x6x10' board and notch out the ends as shown. You may want to cut the 10' board down to 116" first and then notch out two, 6" x 3" sections on the underside as shown.

2

Insert the board through a joiner followed by the #2 Left and #2 Right Rafters as shown. Note: the stickers indicating the rafters should meet inside the joiner.

3

Center the wood insert about the rafter and fasten the joiner with four 1 1/2" screws as shown.



STEP EIGHT

Rafter #3 Assembly

1

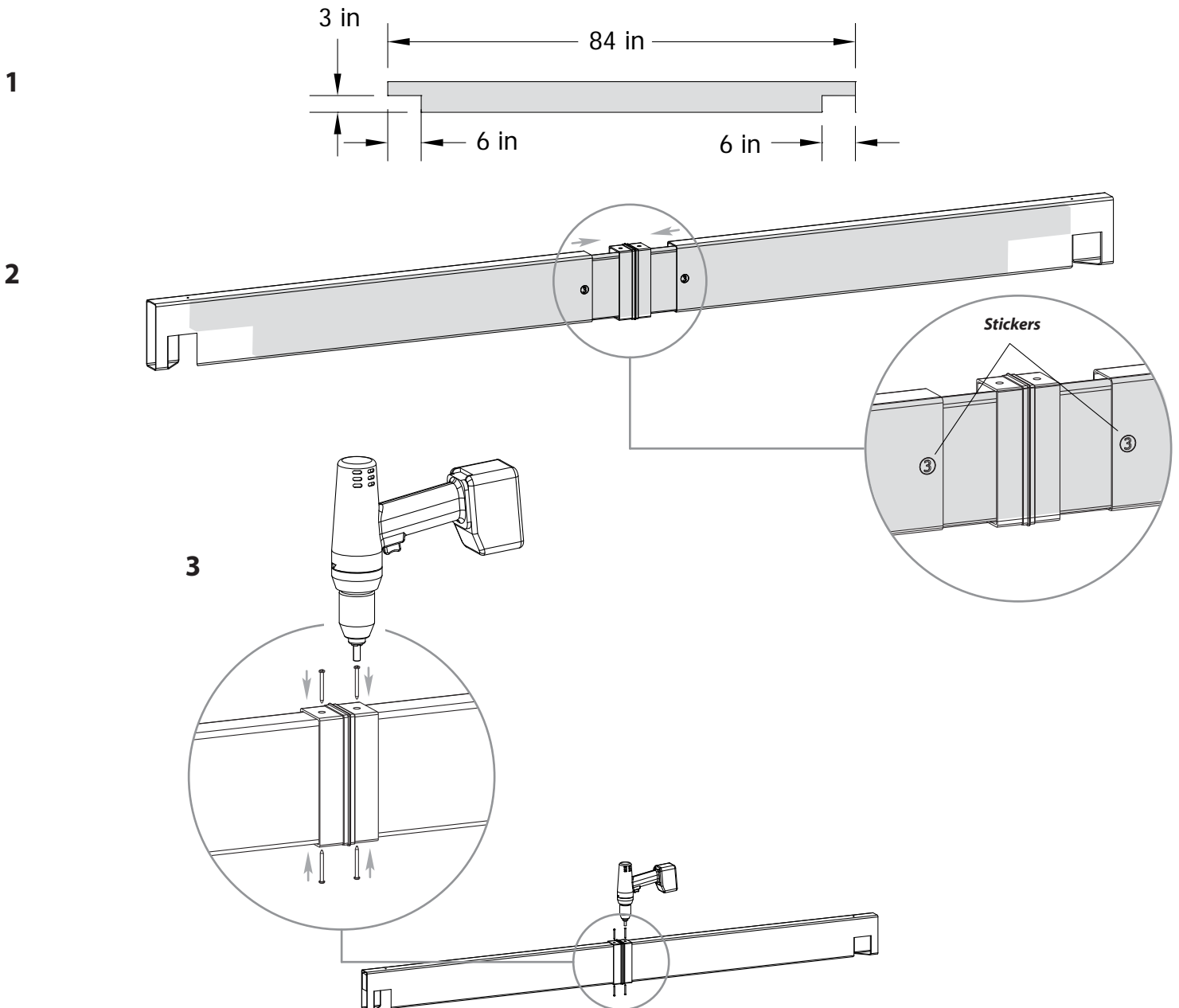
Take one of the 2x6x12' board and cut into 7' and 5' sections. The 7' section will be used for this rafter, and the 5' section will be used for the last rafter assembly. Notch out the ends as shown.

2

Insert the board through a joiner followed by the #3 Left and #3 Right Rafters as shown. Note: the stickers indicating the rafters should meet inside the joiner.

3

Center the wood insert about the rafter and fasten the joiner with four 1 1/2" screws as shown.



STEP NINE

Rafter #4 Assembly

1

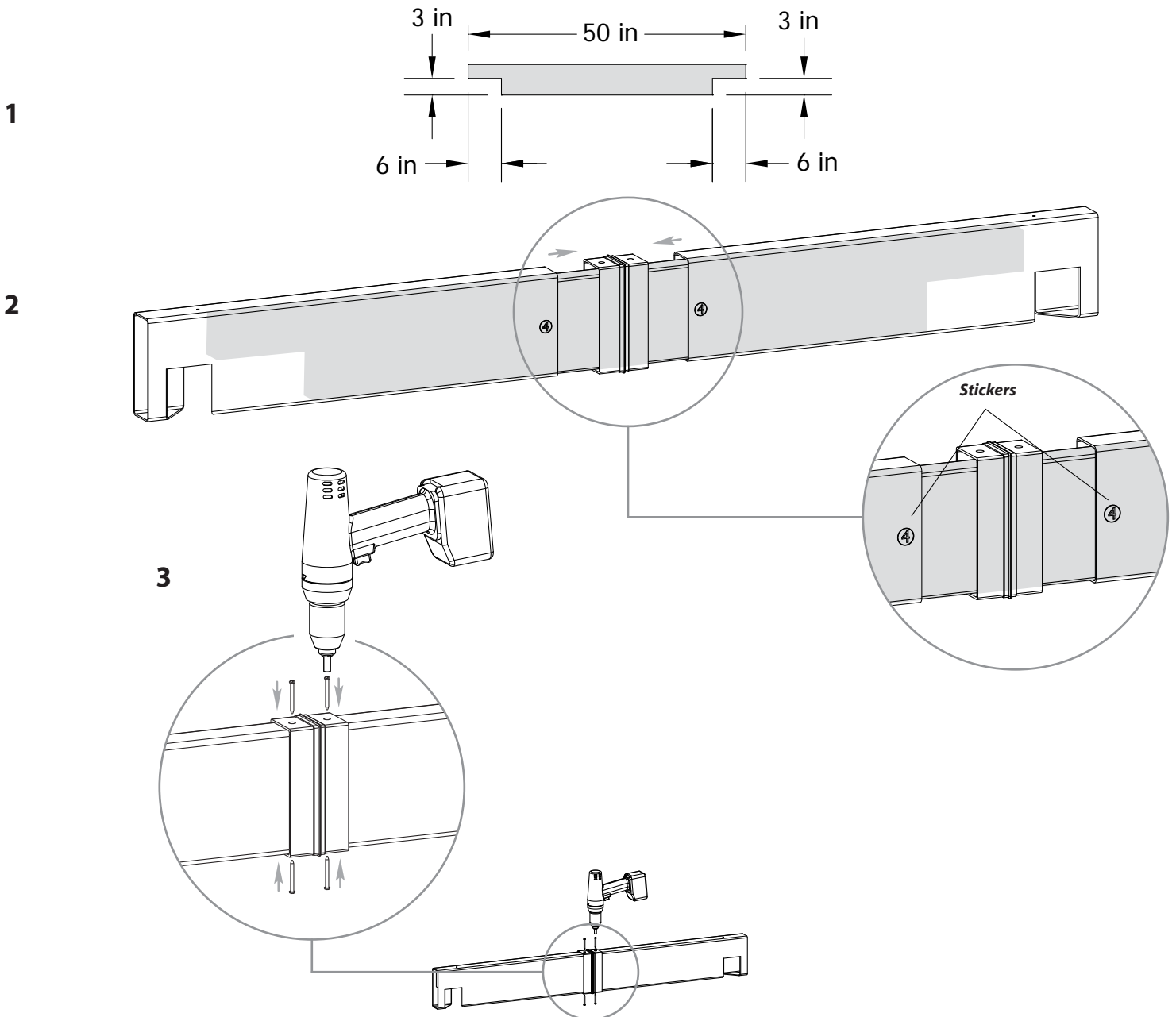
Take the 2x6x5' section from the previous step and notch out the ends as shown.

2

Insert the board through a joiner followed by the #4 Left and #4 Right Rafters as shown. Note: the stickers indicating the rafters should meet inside the joiner.

3

Center the wood insert about the rafter and fasten the joiner with four 1 1/2" screws as shown.



STEP TEN

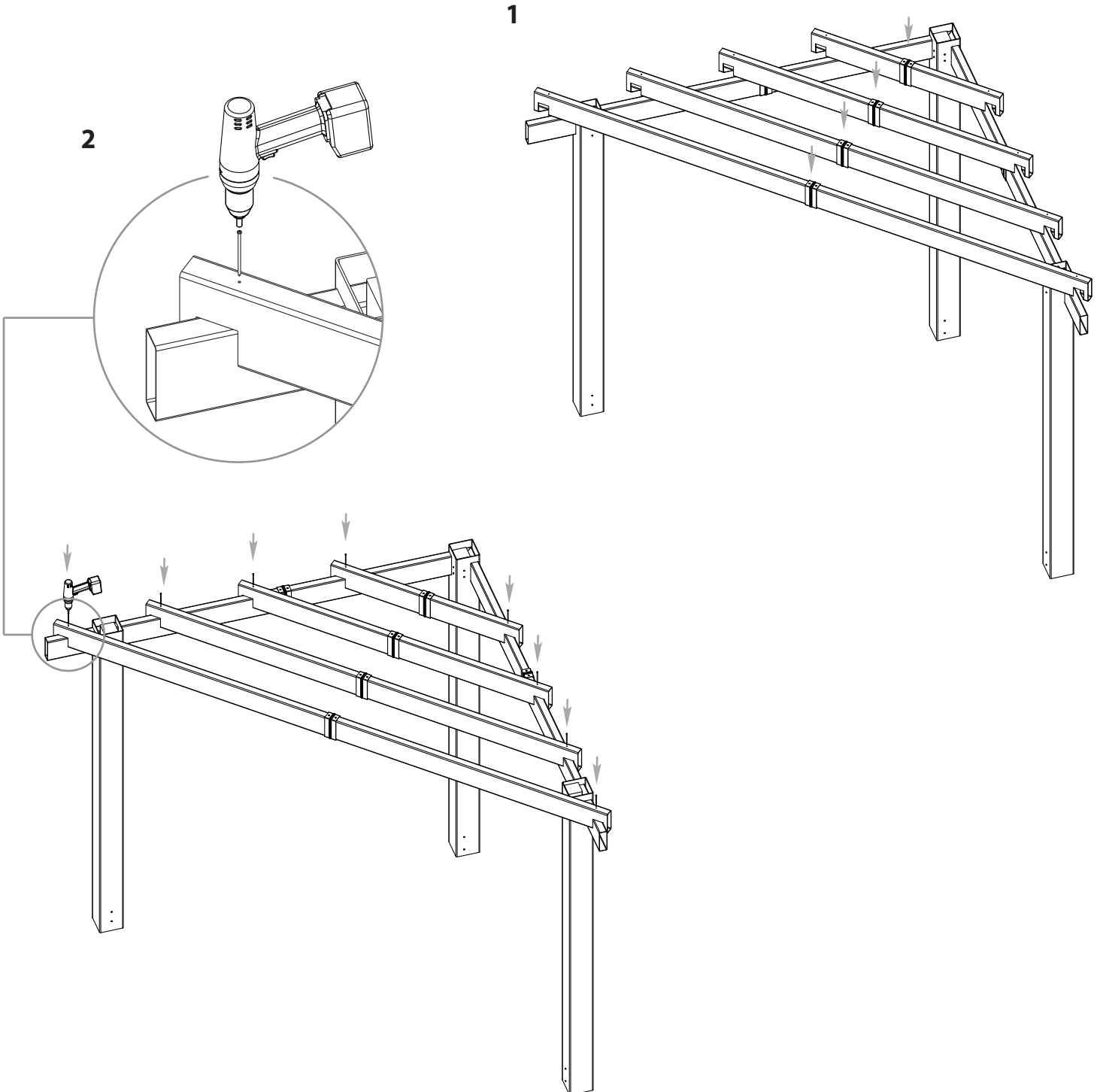
Rafters Installation

1

With a helper, place the four rafters onto the beams as shown.

2

Fasten each end of the rafters to the beams through the pre-drilled holes with the 4" screws provided.



STEP ELEVEN

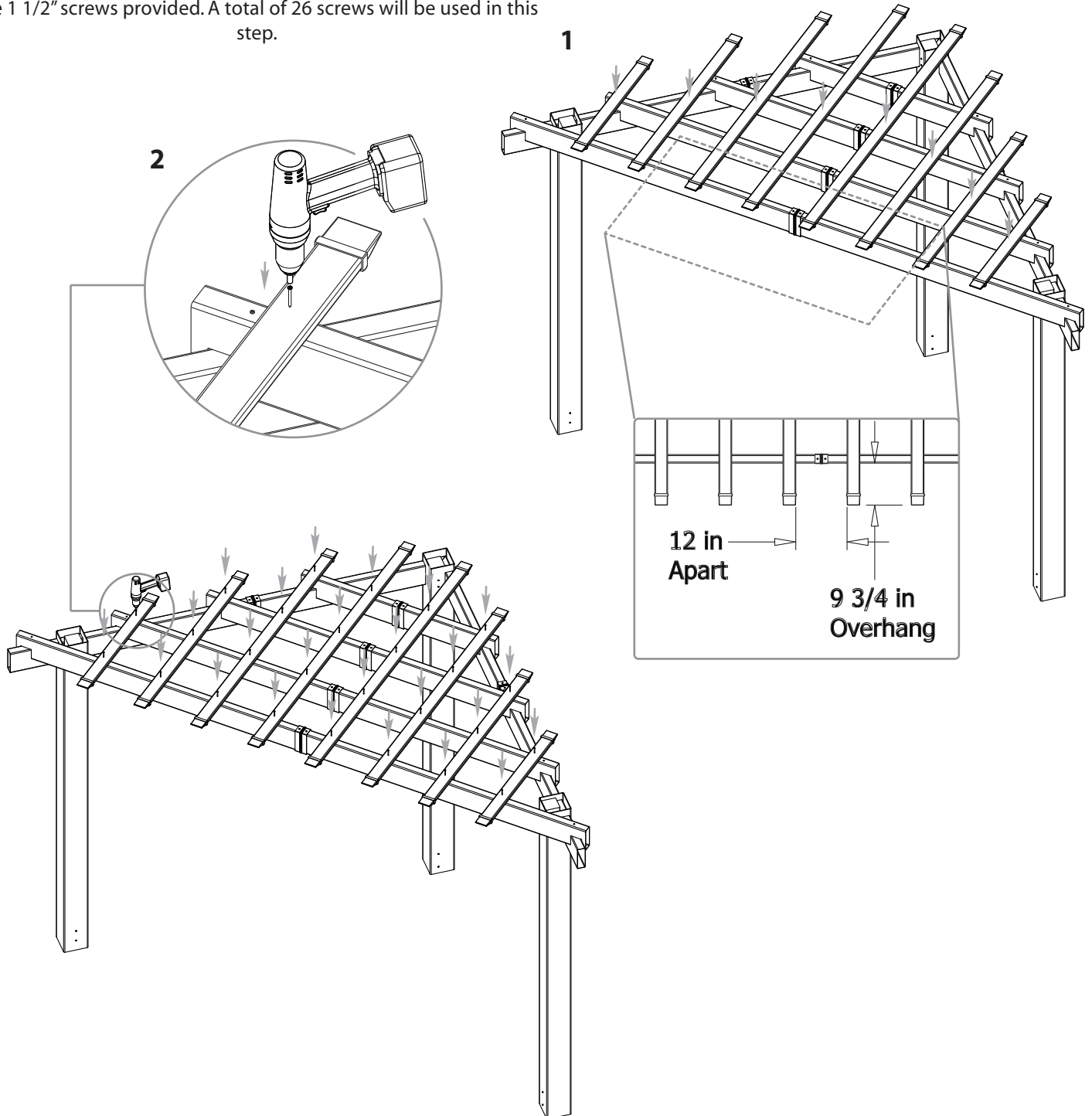
Shade Slats Installation

1

With a helper, place the eight shade slats onto the rafters as shown. The shade slats should be 12 inches apart and overhang the front beam by 9 3/4 inches.

2

Fasten all the shade slats onto the rafters at each intersection using the 1 1/2" screws provided. A total of 26 screws will be used in this step.



STEP TWELVE

Post Caps and Decorative End Caps Installation

1

Apply a small amount of glue on the inside perimeter of the decorative end caps as shown.

2

Insert decorative end caps onto the beam. Hold for 30 seconds to allow the glue to set and a few more minutes to cure.

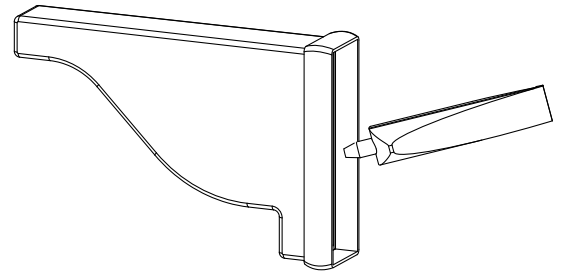
3

Repeat for all decorative end caps.

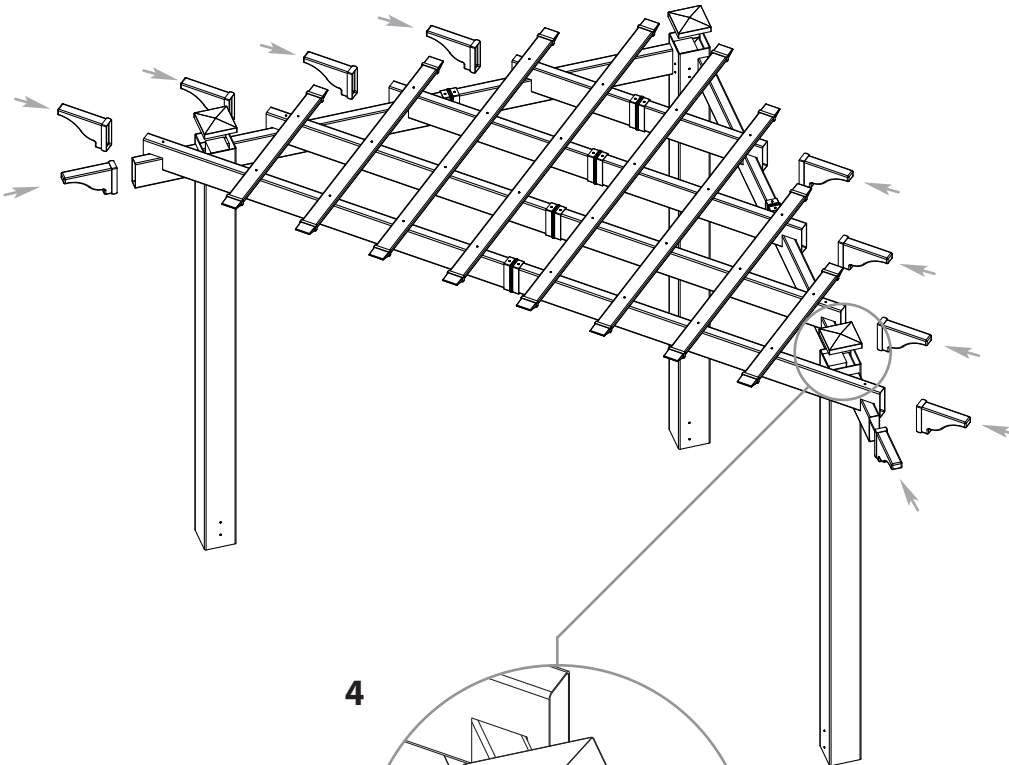
4

Pressure fit the three post caps onto the posts. You may use any remaining glue, but is not necessary.

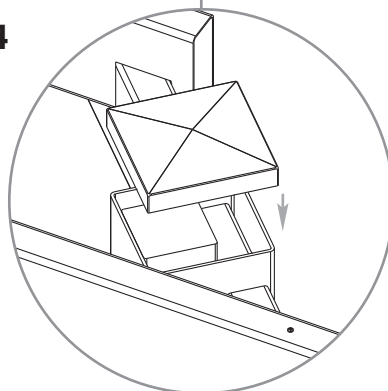
1



2



4



vita